



KM-901M_J(3)


MODULAR CRESCENT CUBER





KM-901M_J(3)
07/08/19
Item # 13213

Item #: _____
Project: _____
Qty: _____
AIA#: _____

Features

- ▶ Individual crescent cube
- ▶ Stainless steel evaporator
- ▶ CycleSaver™ design 

- Up to 950 lbs. of ice production per 24 hours
- Mount two units, side-by-side, in only 60" of floor space for double the amount of ice production
- Durable stainless steel exterior
- Protected by H-GUARD Plus  Antimicrobial Agent
- EverCheck™ alert system 
- Removable air filters (Air-cooled model only)
- R-404A Refrigerant

Available on Bins:

B-250PF B-700PF/SF B-900PF/SF B-1300SS B-1650SS*
B-500PF/SF B-800PF/SF B-1150SS B-1500SS*

*Top kit may be required. See Bin Spec Sheets. *Two unit application only.*

Warranty:

3 Year Parts & Labor on entire machine. 5 Year Parts & Labor on Evaporator. 5 Year Parts on Compressor; air-cooled condenser coil. Valid in United States, Canada, Puerto Rico and U.S. Territories. Contact factory for warranty in other countries.

Shipping: (LxWxH) 33.5" x 33.25" X 38.5" Volume: 24.82ft³

W x D x H
30" x 27^{3/8}" x 32^{1/2}"

KM Edge DESIGN

KM-901MAJ

Air-Cooled

Shown on optional bin B-500

KM-901MWJ

Water-Cooled

KM-901MRJ ★

Remote Air-Cooled 1 Phase

KM-901MRJ3 ★

Remote Air-Cooled 3 Phase

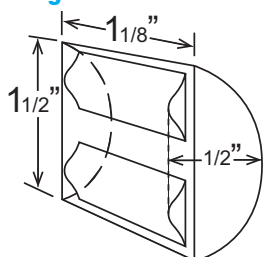


Condenser	Model	ICE PRODUCTION		WATER USAGE			ELECTRICAL				Heat Rejection BTU/hr.	Refrigerant Charge Amount	Net / Ship Weight (lbs.)	
		Air / Water Temp Lbs. per 24 hours	70°/ 50°F	90°/ 70°F	Potable Gal. per 100 lbs.	90°/ 70°F	Condenser Gal. per 100 lbs.	90°/ 70°F	kWh Used per 100 lbs.	90°/ 70°F				Max. Fuse Size or HACR Circuit Breaker
1 Phase	Air	KM-901MAJ	905	753	22.0	N/A	5.0	20A	13A	208-230/60/1	3	13,000	3 lb. 4.9 oz.	228 / 260
	Water	KM-901MWJ	950	870	16.0	113	3.6	20A	10A	208-230/60/1	3	12,700	1 lb. 14 oz.	218 / 250
	Remote	KM-901MRJ	904	853	16.0	N/A	4.5	20A	12A	208-230/60/1	3	12,500	7 lb. 15 oz. 12 lb. 5.5 oz.†	218 / 250
3 Phase	Remote	KM-901MRJ3	927	830	15.0	N/A	4.4	20A	7.1A	208-230/60/3	4	12,000	7 lb. 15 oz. 12 lb. 5.5 oz.†	240 / 250

†(with condenser)

Power cord not included

KM Edge Cube Dimensions†



* approximate size in inches, image not to scale

Operating Limits

- Ambient Temp Range 45 - 100°F
- Water Temp Range 45 - 90°F
- Water Pressure 10 - 113 PSIG
- Voltage Range 187-253V

Service

- Panels easily removed and all components accessible for service.
- Allow 12" (30 cm) clearance at rear, sides, and top for proper air circulation and ease of maintenance and/or service should they be required.

Plumbing

- Icemaker Water Supply Line: Min. 1/4" Nominal ID Copper Water Tubing or Equivalent
- Icemaker Drain Line: Min. 3/4" Nominal ID Hard Pipe or Equivalent
- Water-Cooled Model (Lines Must Be Independent of Icemaker)
- Condenser Water Supply Line: Min. 1/4" Nominal ID Copper Water Tubing or Equivalent
- Condenser Drain/Return Line: Min. 1/4" Nominal ID Hard Pipe (open drain system) or Copper Water Tubing (closed loop system) or Equivalent

Water Filter

Please refer to water filter spec sheet for recommended configurations.

Hoshizaki reserves the right to change specifications without notice.



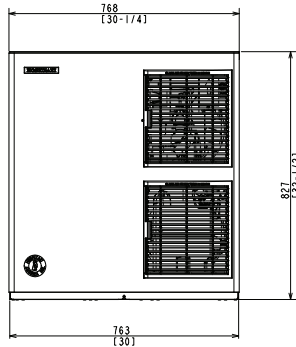
KM-901M_J(3)

MODULAR CRESCENT CUBER

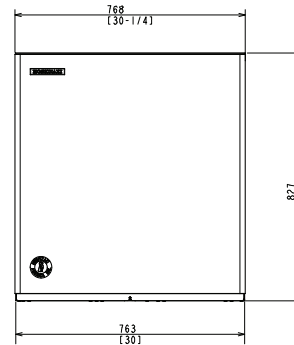


KM-901M_J(3)
07/08/19
Item # 13213

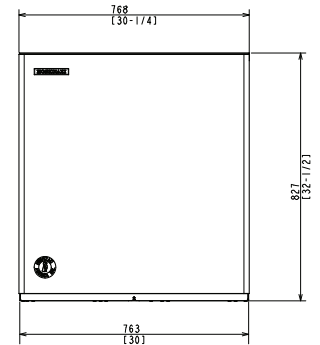
FRONT VIEW



AIR-COOLED



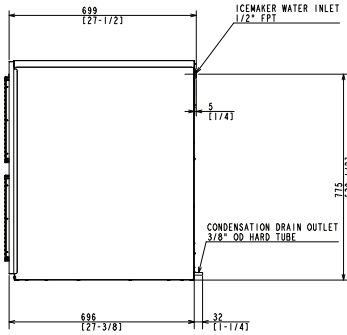
WATER-COOLED



REMOTE AIR-COOLED

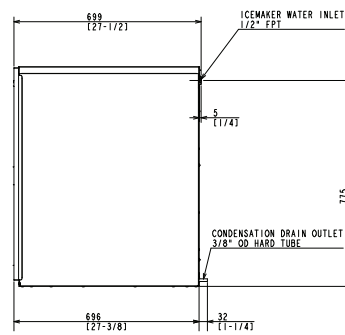
SIDE VIEW

Front →



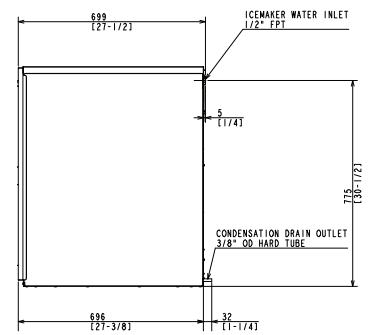
AIR-COOLED

Front →



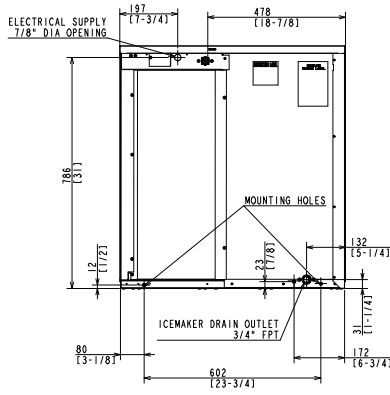
WATER-COOLED

Front →

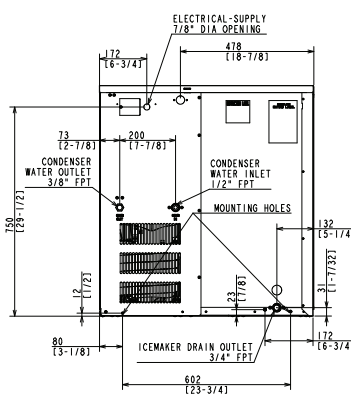


REMOTE AIR-COOLED

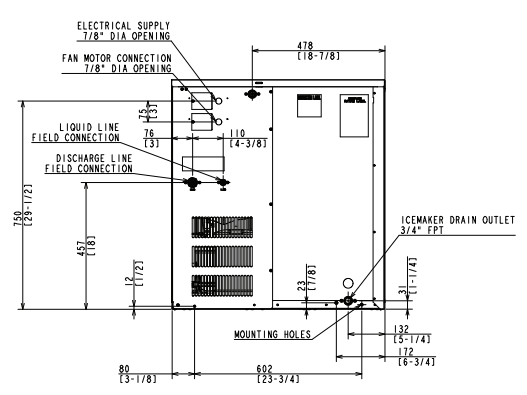
REAR VIEW



AIR-COOLED



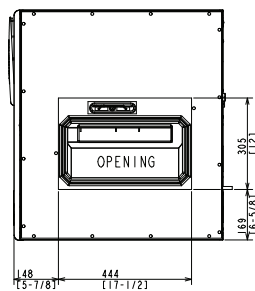
WATER-COOLED



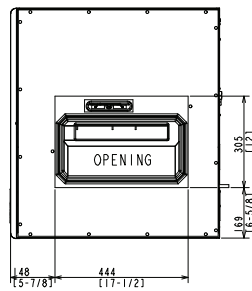
REMOTE AIR-COOLED

BOTTOM VIEW

Front →



AIR-COOLED



WATER-COOLED
REMOTE AIR-COOLED

Pre-Charged Tubing Kits
(Sold Separately)
20' R404-2068-2
35' R404-3568-2
55' R404-5568-2



Voltage supply for the URC Remote Condenser is supplied from the Ice Maker. No additional circuit is required.

URC-14F Remote Condenser (Sold Separately)
(W x D x H) 35^{11/16} x 14^{1/16} x 36^{1/2}

For Use with KM-901MRJ(3)

