



# HOSHIZAKI

## Parts List

Modular Crescent Cuber

Models

KM-350MAJ, MWJ

KM-520MAJ, MWJ, MRJ

KM-660MAJ, MWJ, MRJ



[hoshizakiamerica.com](http://hoshizakiamerica.com)

Number: 71416  
Issued: 8-29-2018  
Revised: 2-4-2019

**CONTENTS**

- Auxiliary Codes..... 3
- Note About Ordering Parts ..... 3
- A. Main Assembly and Refrigeration Circuit..... 4
  - KM-350MAJ, KM-520MAJ, KM-660MAJ ..... 4
  - KM-350MWJ, KM-520MWJ, KM-660MWJ ..... 6
  - KM-520MRJ, KM-660MRJ ..... 8
- B. Water Circuit ..... 10
- C. Control Box Assembly ..... 12
- D. Accessories & Labels ..... 14

## **Auxiliary Codes**

### **KM-350MAJ**

H-0 May 2018

J-0 January 2019

### **KM-350MWJ**

H-0 May 2018

J-0 January 2019

### **KM-520MAJ**

H-0 May 2018

J-0 January 2019

### **KM-520MWJ**

H-0 May 2018

J-0 February 2019

### **KM-520MRJ**

H-0 May 2018

J-0 January 2019

### **KM-660MAJ**

H-0 May 2018

J-0 January 2019

### **KM-660MWJ**

H-0 May 2018

J-0 January 2019

### **KM-660MRJ**

H-0 May 2018

J-0 January 2019

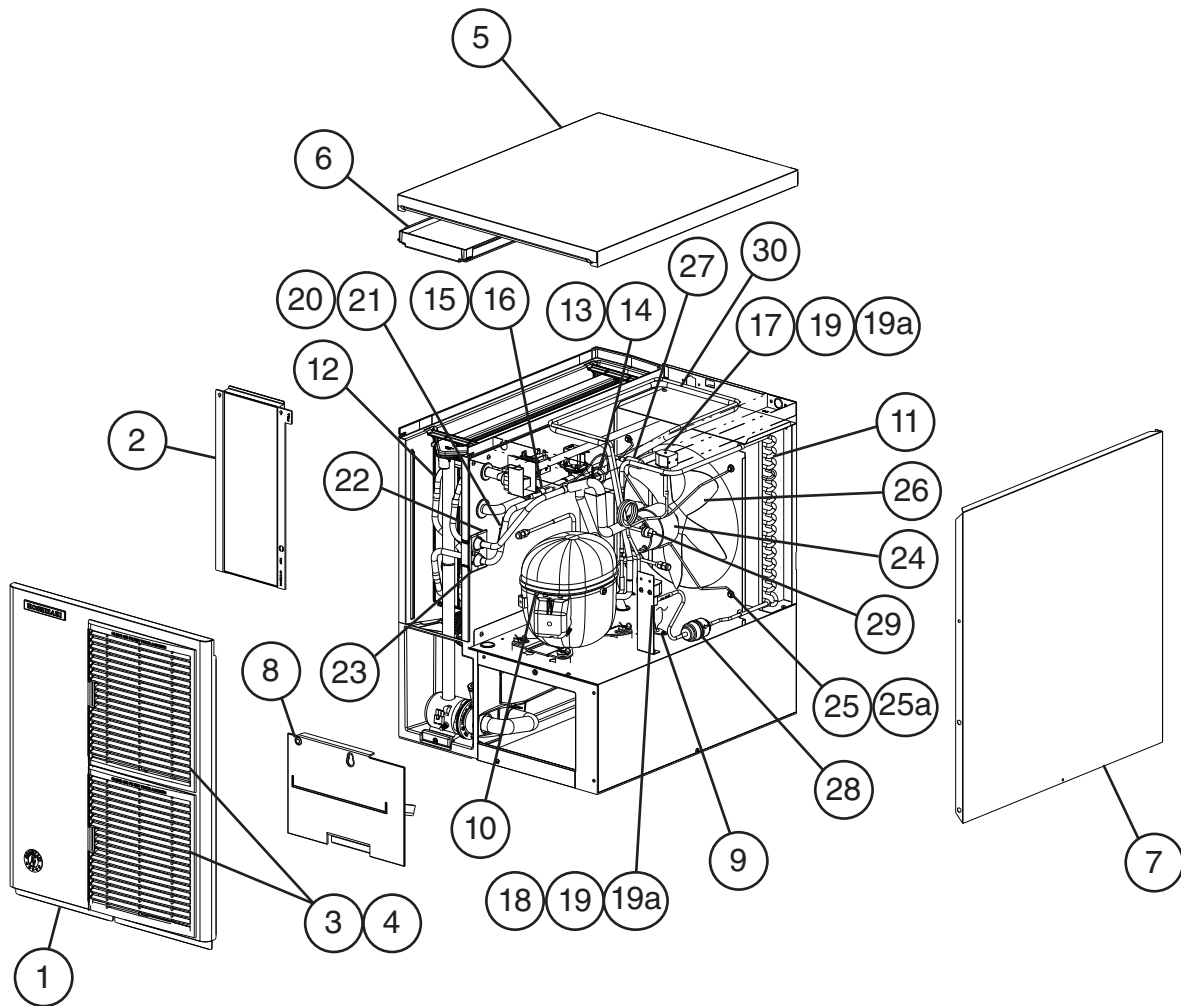
## **Auxiliary Code Breakdown**

The auxiliary code is the first two characters in the serial number. The first character indicates the year. Years progress or regress in alphabetical order. The series runs from "A" through "V" and the letters "I" and "O" are skipped. The second character indicates significant part changes within a year. Base is "0" and this number advances for each change. In cases where there is a letter in parentheses, this designates the month. This is the last character in the serial number. The series runs from "(A)" through "(M)" and the letter "(I)" is skipped. This designation is only included when identifying a parts change within an auxiliary code.

## **Note About Ordering Parts**

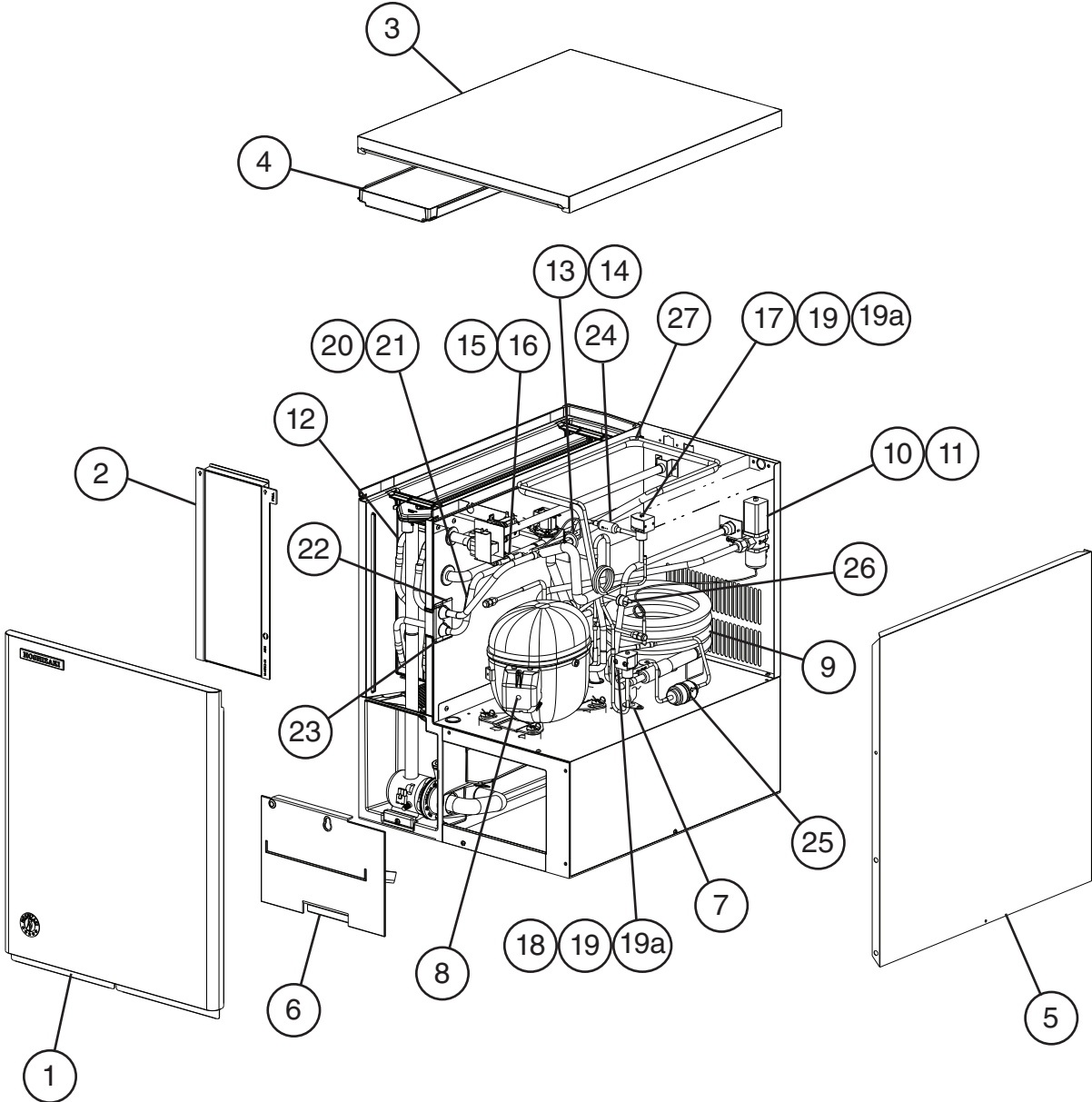
Most assemblies cannot be ordered as complete units; parts in the assemblies generally must be ordered separately.

**A. Main Assembly and Refrigeration Circuit**  
**KM-350MAJ, KM-520MAJ, KM-660MAJ**  
H-0, J-0



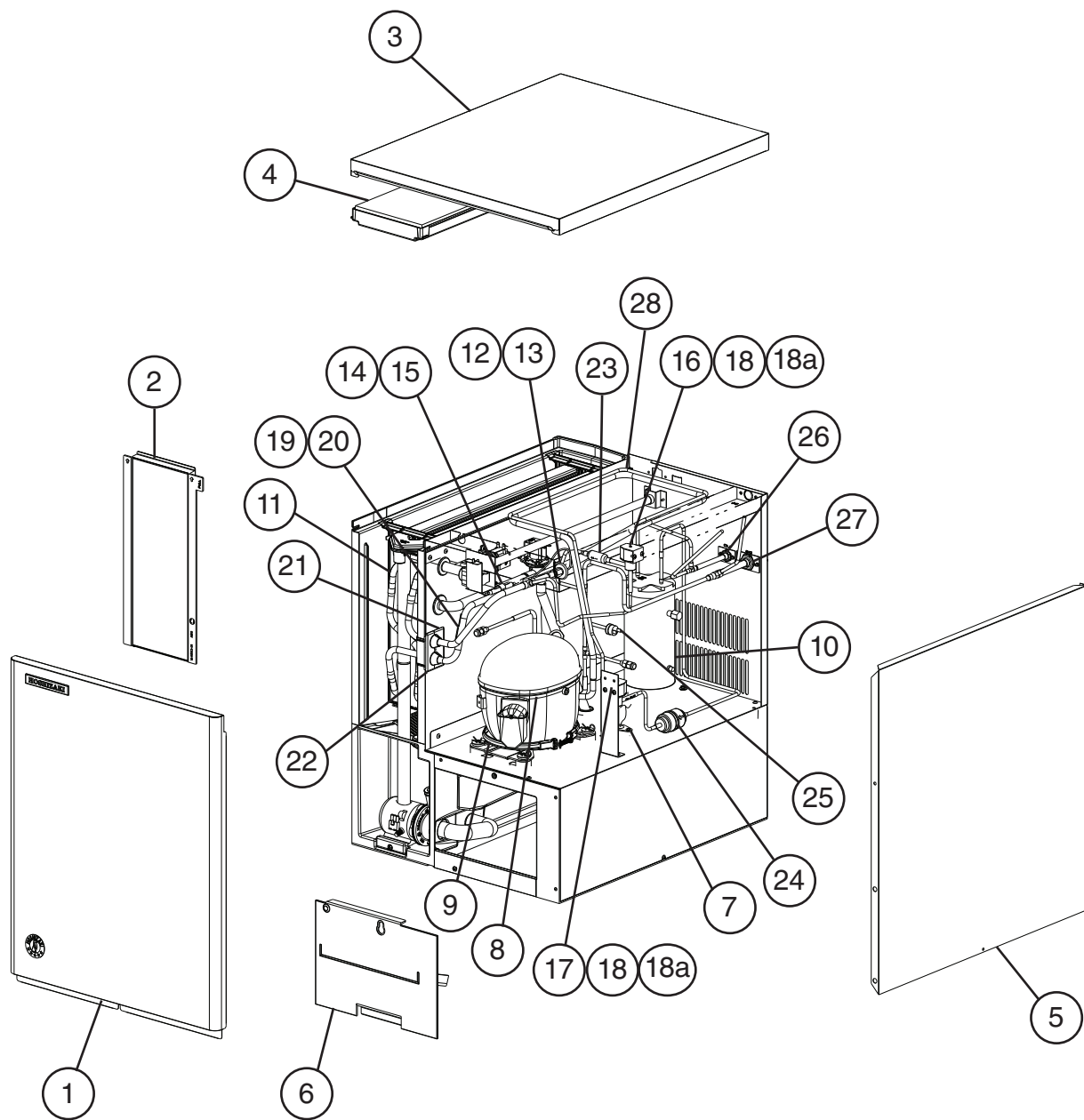
| <b>Title: A. Main Assembly and Refrigeration Circuit Model: KM-350MAJ, KM-520MAJ, KM-660MAJ</b> |  |                          |             |                 |  |  |  |  |  |  |  |
|---|--|--------------------------|-------------|-----------------|--|--|--|--|--|--|--|
| Index No.   | Description                              | Material or Model Number | Part Number | Required Number |  |  |  |  |  |  |  |
|   |  |                          |             | H-0             |  |  |  |  |  |  |  |
| <b>Main Assembly</b>  |  |                          |             |                 |  |  |  |  |  |  |  |
| 1   | Front Panel                              |                          | 1A5319G01   | 1               |  |  |  |  |  |  |  |
| 2   | Front Insulation                         |                          | 3A9354G01   | 1               |  |  |  |  |  |  |  |
| 3   | Louver (includes item 4)                 |                          | 2A6649A01   | 2               |  |  |  |  |  |  |  |
| 4   | Air Filter                               |                          | 2A2062G01   | 2               |  |  |  |  |  |  |  |
| 5   | Top Panel                                |                          | 1A5321G01   | 1               |  |  |  |  |  |  |  |
| 6   | Top Insulation                           |                          | 3A9353G01   | 1               |  |  |  |  |  |  |  |
| 7   | Right Side Panel                         |                          | 1A5004-01   | 1               |  |  |  |  |  |  |  |
| 8   | Base Cover                               |                          | 3A9771-01   | 1               |  |  |  |  |  |  |  |
| 9   | Ultra Sonic Bin Control                  |                          | 4A6148G01   | 1               |  |  |  |  |  |  |  |
| <b>Refrigeration Circuit</b>  |  |                          |             |                 |  |  |  |  |  |  |  |
| 10  | Compressor                               | KM-350MAJ                | 4A5090-01   | 1               |  |  |  |  |  |  |  |
|   |  | KM-520MAJ                | 4A4479-01   | 1               |  |  |  |  |  |  |  |
|   |  | KM-660MAJ                | 4A5158-01   | 1               |  |  |  |  |  |  |  |
| 11  | Condenser                                | KM-350MAJ                | 1A4582-01   | 1               |  |  |  |  |  |  |  |
|   |  | KM-520MAJ                | 1A4584-01   | 1               |  |  |  |  |  |  |  |
|   |  | KM-660MAJ                |             |                 |  |  |  |  |  |  |  |
| 12  | Evaporator                               |                          | 1A4119G01   | 1               |  |  |  |  |  |  |  |
| 13  | Thermostatic Expansion Valve             |                          | 4A4008-01   | 1               |  |  |  |  |  |  |  |
| 14  | Thermostatic Expansion Valve Cover       |                          | 3A0944-01   | 1               |  |  |  |  |  |  |  |
| 15  | Thermostatic Expansion Valve Bulb Holder |                          | 3A0107-01   | 1               |  |  |  |  |  |  |  |
| 16  | Hose Clamp                               |                          | 443461-02   | 1               |  |  |  |  |  |  |  |
| 17  | Hot Gas Valve Body                       |                          | 4A3978-01   | 1               |  |  |  |  |  |  |  |
| 18  | Liquid Line Valve Body                   |                          | 4A3276-01   | 1               |  |  |  |  |  |  |  |
| 19  | Valve Coil                               |                          | 4A3277-01   | 2               |  |  |  |  |  |  |  |
| 19a   | Bolt                                     |                          | 4A3277F01   | 2               |  |  |  |  |  |  |  |
| 20  | Thermistor                               |                          | 429006-03   | 1               |  |  |  |  |  |  |  |
| 21  | Thermistor Holder                        |                          | 427430-01   | 1               |  |  |  |  |  |  |  |
| 22  | Rubber Insulation A                      |                          | 3A9637-01   | 1               |  |  |  |  |  |  |  |
| 23  | Rubber Insulation B                      |                          | 3A9638-01   | 1               |  |  |  |  |  |  |  |
| 24  | Fan Motor                                |                          | 4A3158-01   | 1               |  |  |  |  |  |  |  |
| 25  | Fan Motor Bracket                        |                          | 2A7974-02   | 1               |  |  |  |  |  |  |  |
| 25a   | Hex Bolt                                 | 5x12, SS                 | 7B0230512   | 4               |  |  |  |  |  |  |  |
| 26  | Fan Blade                                |                          | 4A0197-01   | 1               |  |  |  |  |  |  |  |
| 27  | Strainer                                 |                          | 441569-02   | 1               |  |  |  |  |  |  |  |
| 28  | Drier                                    |                          | 4A1113-01   | 1               |  |  |  |  |  |  |  |
| 29  | High-Pressure Switch                     |                          | 463180-01   | 1               |  |  |  |  |  |  |  |
| 30  | Heat Exchanger                           |                          | 2A8681G01   | 1               |  |  |  |  |  |  |  |

**A. Main Assembly and Refrigeration Circuit**  
**KM-350MWJ, KM-520MWJ, KM-660MWJ**  
H-0, J-0



| <b>Title: A. Main Assembly and Refrigeration Circuit Model: KM-350MWJ, KM-520MWJ, KM-660MWJ</b> |  |                          |             |                 |  |  |  |  |  |  |  |  |
|---|--|--------------------------|-------------|-----------------|--|--|--|--|--|--|--|--|
| Index No.   | Description                              | Material or Model Number | Part Number | Required Number |  |  |  |  |  |  |  |  |
|   |  |                          |             | H-0             |  |  |  |  |  |  |  |  |
| <b>Main Assembly</b>  |  |                          |             |                 |  |  |  |  |  |  |  |  |
| 1   | Front Panel                              |                          | 1A5320G01   | 1               |  |  |  |  |  |  |  |  |
| 2   | Front Insulation                         |                          | 3A9354G01   | 1               |  |  |  |  |  |  |  |  |
| 3   | Top Panel                                |                          | 1A5321G01   | 1               |  |  |  |  |  |  |  |  |
| 4   | Top Insulation                           |                          | 3A9353G01   | 1               |  |  |  |  |  |  |  |  |
| 5   | Right Side Panel                         |                          | 1A5004-01   | 1               |  |  |  |  |  |  |  |  |
| 6   | Base Cover                               |                          | 3A9771-01   | 1               |  |  |  |  |  |  |  |  |
| 7   | Ultra Sonic Bin Control                  |                          | 4A6148G01   | 1               |  |  |  |  |  |  |  |  |
| <b>Refrigeration Circuit</b>  |  |                          |             |                 |  |  |  |  |  |  |  |  |
| 8   | Compressor                               | KM-350MWJ                | 4A5090-01   | 1               |  |  |  |  |  |  |  |  |
|   |  | KM-520MWJ                | 4A4479-01   | 1               |  |  |  |  |  |  |  |  |
|   |  | KM-660MWJ                | 4A5158-01   | 1               |  |  |  |  |  |  |  |  |
| 9   | Condenser                                |                          | 3A7321-01   | 1               |  |  |  |  |  |  |  |  |
| 10  | Water Regulating Valve                   | KM-350MWJ                | 4A0911-06   | 1               |  |  |  |  |  |  |  |  |
|   |  | KM-520MWJ                |             |                 |  |  |  |  |  |  |  |  |
|   |  | KM-660MWJ                | 4A0911-07   | 1               |  |  |  |  |  |  |  |  |
| 11  | Male Connector                           |                          | 4A1087-01   | 1               |  |  |  |  |  |  |  |  |
| 12  | Evaporator                               |                          | 1A4119G01   | 1               |  |  |  |  |  |  |  |  |
| 13  | Thermostatic Expansion Valve             |                          | 4A4008-01   | 1               |  |  |  |  |  |  |  |  |
| 14  | Thermostatic Expansion Valve Cover       |                          | 3A0944-01   | 1               |  |  |  |  |  |  |  |  |
| 15  | Thermostatic Expansion Valve Bulb Holder |                          | 3A0107-01   | 1               |  |  |  |  |  |  |  |  |
| 16  | Hose Clamp                               |                          | 443461-02   | 1               |  |  |  |  |  |  |  |  |
| 17  | Hot Gas Valve Body                       |                          | 4A3978-01   | 1               |  |  |  |  |  |  |  |  |
| 18  | Liquid Line Valve Body                   |                          | 4A3276-01   | 1               |  |  |  |  |  |  |  |  |
| 19  | Valve Coil                               |                          | 4A3277-01   | 2               |  |  |  |  |  |  |  |  |
| 19a   | Bolt                                     |                          | 4A3277F01   | 2               |  |  |  |  |  |  |  |  |
| 20  | Thermistor                               |                          | 429006-03   | 1               |  |  |  |  |  |  |  |  |
| 21  | Thermistor Holder                        |                          | 427430-01   | 1               |  |  |  |  |  |  |  |  |
| 22  | Rubber Insulation A                      |                          | 3A9637-01   | 1               |  |  |  |  |  |  |  |  |
| 23  | Rubber Insulation B                      |                          | 3A9638-01   | 1               |  |  |  |  |  |  |  |  |
| 24  | Strainer                                 |                          | 441569-02   | 1               |  |  |  |  |  |  |  |  |
| 25  | Drier                                    |                          | 4A1113-01   | 1               |  |  |  |  |  |  |  |  |
| 26  | High-Pressure Switch                     |                          | 463180-05   | 1               |  |  |  |  |  |  |  |  |
| 27  | Heat Exchanger                           |                          | 2A8681G01   | 1               |  |  |  |  |  |  |  |  |

**A. Main Assembly & Refrigeration Circuit**  
**KM-520MRJ, KM-660MRJ**  
H-0, J-0



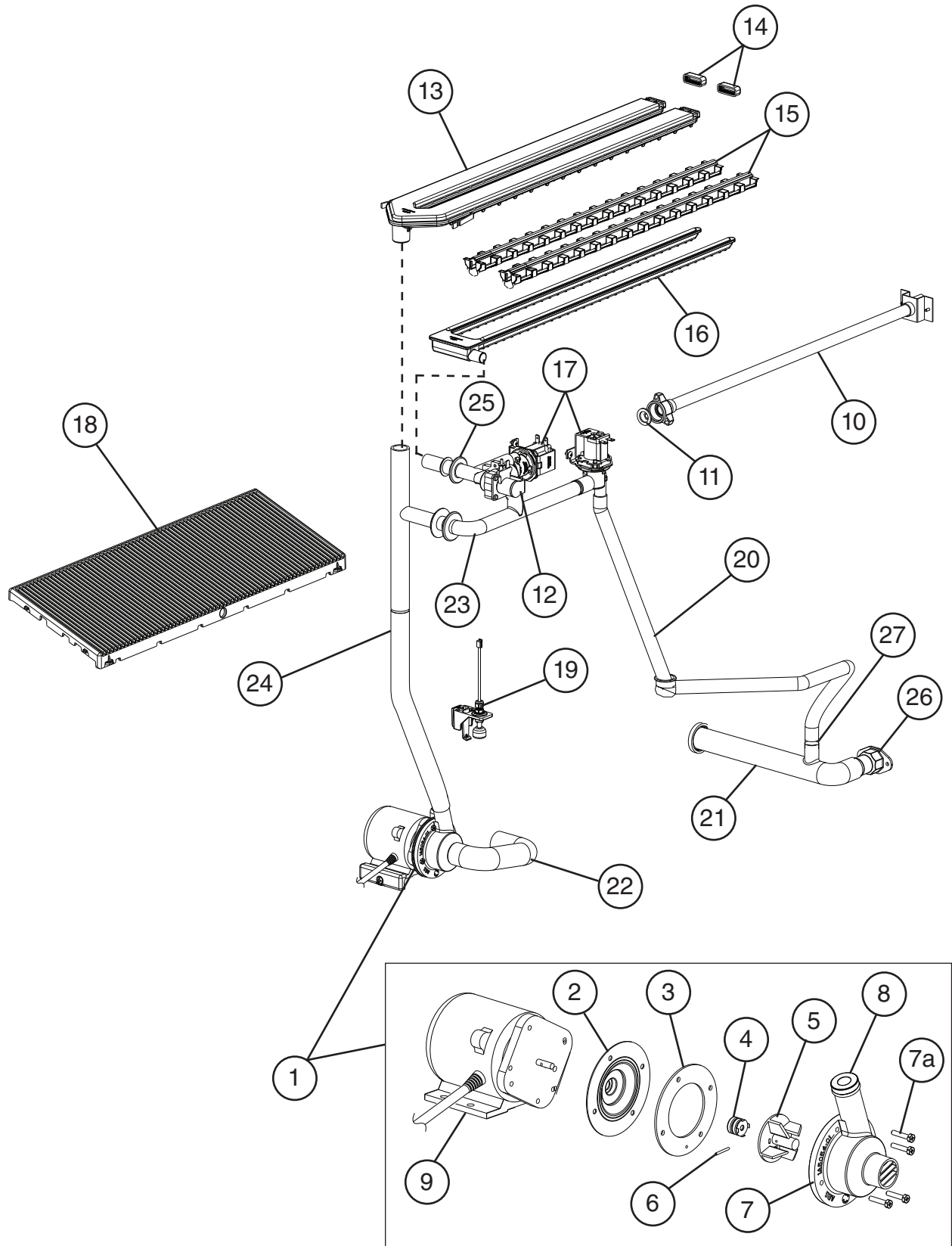


| Title: A. Main Assembly & Refrigeration Circuit Model: KM-520MRJ, KM-660MRJ |  |                          |             |                 |                |  |  |  |  |  |  |
|---|--|--------------------------|-------------|-----------------|----------------|--|--|--|--|--|--|
| Index No.   | Description                              | Material or Model Number | Part Number | Required Number |                |  |  |  |  |  |  |
|   |  |                          |             | H-0 to H-0 (J)  | H-0 (K) to J-0 |  |  |  |  |  |  |
| <b>Ice Cuber Assembly</b>   |  |                          |             |                 |                |  |  |  |  |  |  |
| 1   | Front Panel                              |                          | 1A5320G01   | 1               | 1              |  |  |  |  |  |  |
| 2   | Front Insulation                         |                          | 3A9354G01   | 1               | 1              |  |  |  |  |  |  |
| 3   | Top Panel                                |                          | 1A5321G01   | 1               | 1              |  |  |  |  |  |  |
| 4   | Top Insulation                           |                          | 3A9353G01   | 1               | 1              |  |  |  |  |  |  |
| 5   | Right Side Panel                         |                          | 1A5004-01   | 1               | 1              |  |  |  |  |  |  |
| 6   | Base Cover                               |                          | 3A9771-01   | 1               | 1              |  |  |  |  |  |  |
| 7   | Ultra Sonic Bin Control                  |                          | 4A6148G01   | 1               | 1              |  |  |  |  |  |  |
| <b>Refrigeration Circuit</b>  |  |                          |             |                 |                |  |  |  |  |  |  |
| 8   | Compressor                               | KM-520MRJ                | 4A4479-01   | 1               | 1              |  |  |  |  |  |  |
|   |  | KM-660MRJ                | 4A5158-01   | 1               | 1              |  |  |  |  |  |  |
| 9   | Crankcase Heater                         |                          | 4A5091-01   | 1               | 1              |  |  |  |  |  |  |
| 10  | Receiver Tank                            |                          | 437596-01   | 1               | -              |  |  |  |  |  |  |
|   |  |                          | 4A6212-01   |                 | 1              |  |  |  |  |  |  |
| 11  | Evaporator                               |                          | 1A4119G01   | 1               | 1              |  |  |  |  |  |  |
| 12  | Thermostatic Expansion Valve             |                          | 4A4008-01   | 1               | 1              |  |  |  |  |  |  |
| 13  | Thermostatic Expansion Valve Cover       |                          | 3A0944-01   | 1               | 1              |  |  |  |  |  |  |
| 14  | Thermostatic Expansion Valve Bulb Holder |                          | 3A0107-01   | 1               | 1              |  |  |  |  |  |  |
| 15  | Hose Clamp                               |                          | 443461-02   | 1               | 1              |  |  |  |  |  |  |
| 16  | Hot Gas Valve Body                       |                          | 4A3978-01   | 1               | 1              |  |  |  |  |  |  |
| 17  | Liquid Line Valve Body                   |                          | 4A3276-01   | 1               | 1              |  |  |  |  |  |  |
| 18  | Valve Coil                               |                          | 4A3277-01   | 2               | 2              |  |  |  |  |  |  |
| 18a   | Bolt                                     |                          | 4A3277F01   | 2               | 2              |  |  |  |  |  |  |
| 19  | Thermistor                               |                          | 429006-03   | 1               | 1              |  |  |  |  |  |  |
| 20  | Thermistor Holder                        |                          | 427430-01   | 1               | 1              |  |  |  |  |  |  |
| 21  | Rubber Insulation A                      |                          | 3A9637-01   | 1               | 1              |  |  |  |  |  |  |
| 22  | Rubber Insulation B                      |                          | 3A9638-01   | 1               | 1              |  |  |  |  |  |  |
| 23  | Strainer                                 |                          | 441569-02   | 1               | 1              |  |  |  |  |  |  |
| 24  | Drier                                    |                          | 4A1113-01   | 1               | 1              |  |  |  |  |  |  |
| 25  | High-Pressure Switch                     |                          | 463180-01   | 1               | 1              |  |  |  |  |  |  |
| 26  | Liquid Line Coupling                     |                          | 4A3972G01   | 1               | 1              |  |  |  |  |  |  |
| 27  | Discharge Line Coupling                  |                          | 434136G01   | 1               | 1              |  |  |  |  |  |  |
| 28  | Heat Exchanger                           |                          | 2A8681G01   | 1               | 1              |  |  |  |  |  |  |

## B. Water Circuit

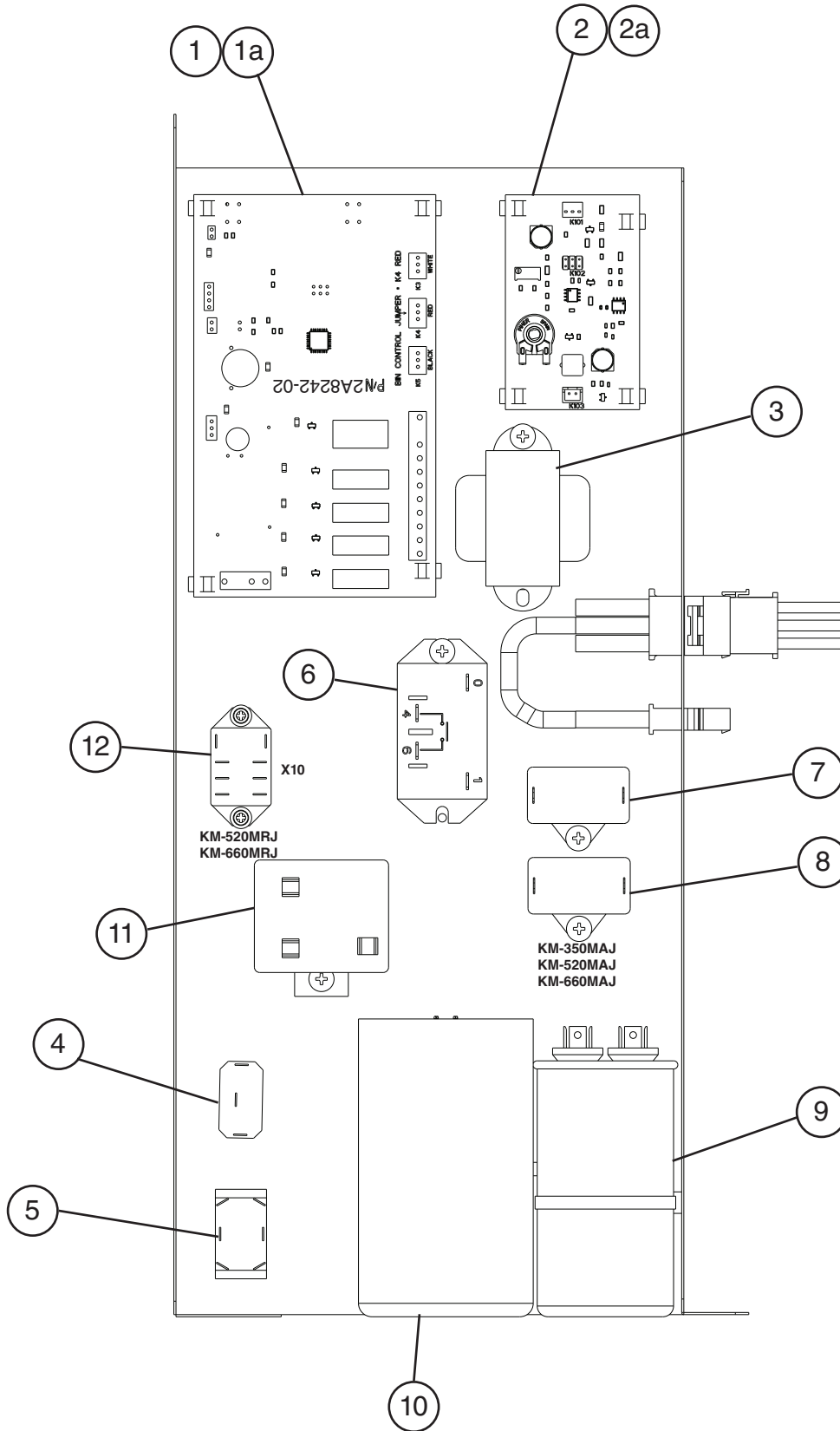
KM-350M\_J, KM-520M\_J, KM-660M\_J

H-0, J-0



| Title: B. Water Circuit Model: KM-350M_J, KM-520M_J, KM-660M_J |  |                          |             |                 |     |  |  |  |  |  |  |  |
|--|--|--------------------------|-------------|-----------------|-----|--|--|--|--|--|--|--|
| Index No.  | Description  | Material or Model Number | Part Number | Required Number |     |  |  |  |  |  |  |  |
|  |  |                          |             | H-0             | J-0 |  |  |  |  |  |  |  |
| 1  | Pump Motor Assembly<br>(include items 2 through 8) |                          | 3A9728A01   | 1               |     |  |  |  |  |  |  |  |
| 2  | Pump Flange  |                          | 3A2988-01   | 1               |     |  |  |  |  |  |  |  |
| 3  | Pump Gasket  |                          | 4A2974-01   | 1               |     |  |  |  |  |  |  |  |
| 4  | Mechanical Seal                                    |                          | 465627-01   | 1               |     |  |  |  |  |  |  |  |
| 5  | Impeller   |                          | 433522-01   | 1               |     |  |  |  |  |  |  |  |
| 6  | Pin  |                          | 4A0648-01   | 1               |     |  |  |  |  |  |  |  |
| 7  | Pump Housing                                       |                          | 1A5054-01   | 1               |     |  |  |  |  |  |  |  |
| 7a   | Screw  | 4x20, Geomet             | 4A3871-01   | 4               |     |  |  |  |  |  |  |  |
| 8  | Reducing Pipe                                      |                          | 4A6178-01   | 1               |     |  |  |  |  |  |  |  |
| 9  | Pump Motor Bracket                                 |                          | 1A4670-01   | 1               |     |  |  |  |  |  |  |  |
| 10   | Water Supply Pipe                                  |                          | 4A5216G04   | 1               |     |  |  |  |  |  |  |  |
| 11   | Rubber Gasket                                      |                          | 413854-03   | 1               |     |  |  |  |  |  |  |  |
| 12   | Inlet Water Valve                                  |                          | 3U0111-03   | 1               |     |  |  |  |  |  |  |  |
| 13   | Spray Tube   |                          | 1A4571G01   | 1               |     |  |  |  |  |  |  |  |
| 14   | Plug   |                          | 4A6069-01   | 2               |     |  |  |  |  |  |  |  |
| 15   | Spray Guide  |                          | 1A4581-01   | 2               |     |  |  |  |  |  |  |  |
| 16   | Water Supply Tube                                  |                          | 1A4572G01   | 1               |     |  |  |  |  |  |  |  |
| 17   | Cleaning Valve                                     |                          | 4A5745-01   | 1               |     |  |  |  |  |  |  |  |
|  | Drain Valve  |                          | 4A5745-03   | 1               |     |  |  |  |  |  |  |  |
| 18   | Cube Guide   |                          | 1A4568-01   | 1               |     |  |  |  |  |  |  |  |
| 19   | Float Switch                                       |                          | 4A6142G01   | 1               |     |  |  |  |  |  |  |  |
| 20   | Silicone Hose                                      | L= 140mm                 | 7730-1114   | 1               |     |  |  |  |  |  |  |  |
| 21   | Drain Hose   |                          | 1A4579-01   | 1               |     |  |  |  |  |  |  |  |
| 22   | Suction Hose                                       |                          | 433466-01   | 1               |     |  |  |  |  |  |  |  |
| 23   | Bypass Hose  |                          | 3A9544-01   | 1               |     |  |  |  |  |  |  |  |
| 24   | Water Hose   |                          | 2A8823G01   | 1               |     |  |  |  |  |  |  |  |
| 25   | Water Supply Tee                                   |                          | 3A9429-01   | 1               |     |  |  |  |  |  |  |  |
| 26   | Drain Fitting                                      |                          | 4A5528-02   | 1               |     |  |  |  |  |  |  |  |
| 27   | Joint Pipe   |                          | 4A6286-01   |                 |     |  |  |  |  |  |  |  |

**C. Control Box Assembly**  
**KM-350M\_J, KM-520M\_J, KM-660M\_J**  
H-0, J-0

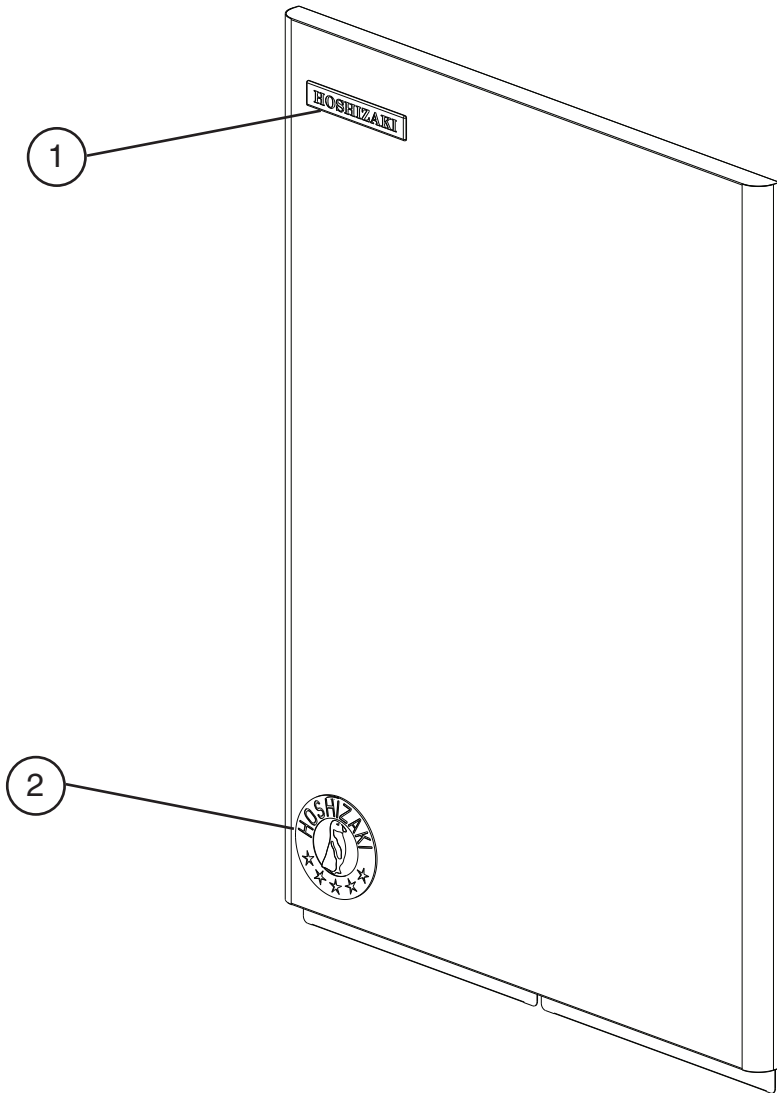


| Title: C. Control Box Assembly Model: KM-350M_J, KM-520M_J, KM-660M_J |                                     |   |             |                 |     |  |  |  |  |  |  |
|---|-------------------------------------|---|-------------|-----------------|-----|--|--|--|--|--|--|
| Index No.   | Description                         | Material or Model Number  | Part Number | Required Number |     |  |  |  |  |  |  |
|   |                                     |   |             | H-0             | J-0 |  |  |  |  |  |  |
| 1   | Control Board                       |   | 2A8242-02   | 1               |     |  |  |  |  |  |  |
| 1a  | Control Board Support               |   | 4A0336-03   | 4               |     |  |  |  |  |  |  |
| 2   | Ultrasonic Bin Control Board        |   | 4A6149-01   | 1               |     |  |  |  |  |  |  |
| 2a  | Control Board Support               |   | 4A0336-03   | 4               |     |  |  |  |  |  |  |
| 3   | Control Transformer                 |   | 3A0172-01   | 1               |     |  |  |  |  |  |  |
| 4   | Control Switch                      |   | 4A6232-01   | 1               |     |  |  |  |  |  |  |
| 5   | Mode Switch                         |   | 4A0985-01   | 1               |     |  |  |  |  |  |  |
| 6   | Compressor Relay                    |   | 4A3140-01   | 1               |     |  |  |  |  |  |  |
| 7   | Pump Motor Capacitor                | 5.5MFD,<br>250VAC   | 443192-03   | 1               |     |  |  |  |  |  |  |
| 8   | Fan Motor Capacitor                 | <b>KM-350MAJ</b><br><b>KM-520MAJ</b><br><b>KM-660MAJ</b><br>5.0MFD,<br>250VAC | 443192-02   | 1               |     |  |  |  |  |  |  |
| 9   | Run Capacitor                       | <b>KM-350M_J</b><br><b>KM-520M_J</b><br>35MFD,<br>440VAC                      | 3A2005-12   | 1               |     |  |  |  |  |  |  |
|   |                                     | <b>KM-660M_J</b><br>40MFD,<br>440VAC  | 3A2005-07   | 1               |     |  |  |  |  |  |  |
| 10  | Start Capacitor                     | <b>KM-350M_J</b><br><b>KM-520M_J</b><br>243-292MFP<br>165VAC                  | 3A0076-20   | 1               |     |  |  |  |  |  |  |
|   |                                     | <b>KM-660M_J</b><br>243-292MFP<br>250VAC                                      | 3A0076-21   | 1               |     |  |  |  |  |  |  |
| 11  | Start Relay                         | <b>KM-350M_J</b>  | 4A1107-18   | 1               |     |  |  |  |  |  |  |
|   |                                     | <b>KM-520M_J</b>  | 4A1107-11   | 1               |     |  |  |  |  |  |  |
|   |                                     | <b>KM-660M_J</b>  | 4A1107-20   | 1               |     |  |  |  |  |  |  |
| 12  | Relay<br>X10=Crankcase Heater Relay | <b>KM-520MRJ</b><br><b>KM-660MRJ</b>  | 406132-07   | 1               |     |  |  |  |  |  |  |

**D. Accessories & Labels**

**KM-350M\_J, KM-520M\_J, KM-660M\_J**

H-0, J-0



| Title: D. Accessories & Labels |                  | Model: KM-350M_J, KM-520M_J, KM-660M_J |             | Required Number |     |  |  |  |  |  |  |  |
|--------------------------------|------------------|--|-------------|-----------------|-----|--|--|--|--|--|--|--|
| Index No.                      | Description      | Material or Model Number               | Part Number | H-0             | J-0 |  |  |  |  |  |  |  |
| 1                              | Hoshizaki Emblem |  | 4A0560-01   | 1               |     |  |  |  |  |  |  |  |
| 2                              | Penguin Label    |  | 475552L02   | 1               |     |  |  |  |  |  |  |  |
| 3                              | Universal Brace  |  | 4A0363-01   | 2               |     |  |  |  |  |  |  |  |
| 3a                             | Hex Head Bolt    | 5x12, SS                               | 7B02-0512   | 2               |     |  |  |  |  |  |  |  |