

iT0300 Ice Cube Machine

iT0300 Ice Cube Machine

Models

IDT-0300A

IYT-0300A

IDT-0300W

IYT-0300W



Indigo Series iT-300
Ice Machine on D-400 Bin
*Ice Machine and Bin sold separately

Designed for operators who know that ice is critical to their business, the Indigo@w Series ice machine's preventative diagnostics continually monitor itself for reliable ice production. Improvements in cleanability and programmability make your ice machine easy to own and less expensive to operate.

- **Space-Saving Design** – Measures only 16.5" high (42 cm) and 30" wide (76.20 cm) allowing it to fit on top of dispensers when a low ceiling is an issue.
- **easyTouch[®] Display** - New icon based touch screen takes the guess work out of owning and operating an ice machine.
- **Programmable Ice Production** – Now its super easy to program your ice machine to be off at certain times of the day to save money with fluctuating electrical rates. Also programmable by daily ice production volume and night time programming.
- **Easy to Clean Foodzone** – Hinged front door swings out for easy access. Removable water-trough, distribution tube, curtain, and sensing probes for fast and efficient cleaning. Select components made with AlphaSan[®] antimicrobial.
- **Intelligent Diagnostics** – Provide 24 hour preventative maintenance and diagnostic feedback for trouble free operation.
- **Acoustical Ice Sensing Probe** – Unique patented technology allows for reliable operation in challenging water conditions and environments.
- **DuraTech[™] Exterior** – Provides superior corrosion resistant above stainless steel. Innovative clear-coat resists fingerprints and dirt making it easier to keep clean.
- **Available LuminIce II Virus and Bacteria Inhibitor**- Controls viruses, bacteria, mold and yeast within the food zone to keep the ice machine clean longer. A new sanitation icon lets you know the operational status.
- **Active sense** - Insures consistent ice harvest in all environmental conditions. This software solution works in conjunction with the acoustical ice sensing probe improving reliability and performance.

Ice Machine Electric

115/60/1 standard.
(208-230/60/1 and 230/50/1 also available.)

Minimum circuit ampacity:

Air-cooled:	115v: 8.8	208-230v: 4.2
Water-cooled:	115v: 7.9	208-230v: 3.8

Maximum fuse size:

15 amps 1ph

Specifications

BTU Per Hour:

4,600 (average), 5,450 (peak)

Refrigerant:

R410A CFS - Free Lowers global warming by 48%

Operating Limits:

- Ambient Temperature Range: 40 to 110 F (4.4 to 43.3 C)
Water Temperature Range: 40 to 90 F (4.4 to 32.2 C)
- Potable Water Pressure: Min. 20 psi (137.9 kPa)
Max. 80 psi (551.1 kPa)
- Condenser Water Pressure: Min. 20 psi (137.9 kPa)
Max. 276 psi (551.1 kPa)



Ice Shape



Half Dice
3/8" x 1 1/8" x 7/8"
(.95 x 2.86 x 2.22 cm)



Dice
7/8" x 7/8" x 7/8"
(2.22 x 2.22 x 2.22 cm)

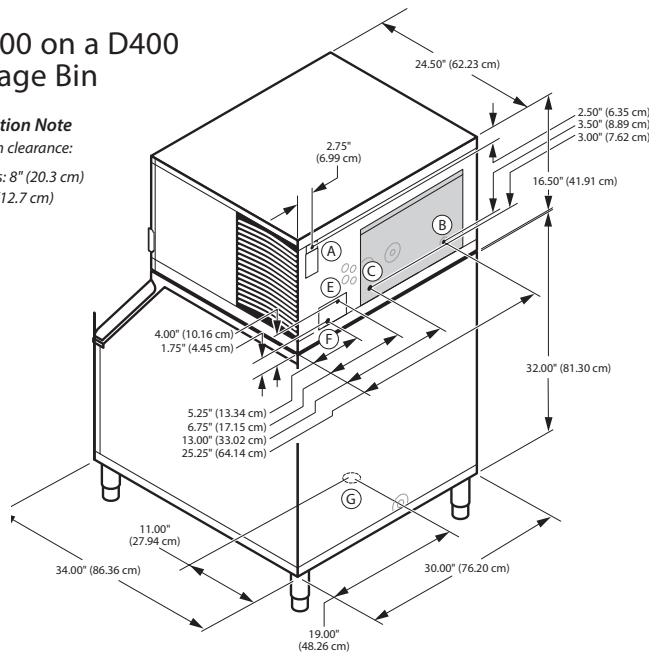




iT0300 Ice Cube Machine

iT0300 on a D400 Storage Bin

Installation Note
 Minimum clearance:
 Top/Sides: 8" (20.3 cm)
 Back: 5" (12.7 cm)



- (A) Electrical Entrance (2) Options
- (B) 3/8" (0.95 cm) F.P.T. Water Condenser Inlet (water-cooled units)
- (C) 1/2" (1.27 cm) F.P.T. Water Condenser Outlet (water-cooled units)
- (D) 1/2" (1.27 cm) Auxillary Base Drain Socket
- (E) 3/8" (0.95 cm) F.P.T. Ice Making Water Inlet
- (F) 1/2" (1.27 cm) F.P.T. Ice Making Water Drain
- (G) 3/4" (1.91 cm) Bin Drain

Space-Saving Designs



iT0300 D-400

Height	54.50" 138.43 cm
Width	30.00" 76.20 cm
Depth	34.00" 86.30 cm
Bin Storage	365 lbs. 165.7 kgs.

Height includes adjustable bin legs 6.00" to 8.00", (15.24 to 20.32 cm) set at 6.00" (15.24 cm).

Storage bin rated at application capacity based on 90% of the volume x 33 lbs/ft³ average density of ice.

Specifications

	Model	Ice Shape	Ice Production 24 Hours		Power Usage kWh/100 lbs. @90°Air/70°F	Water Usage/ 100 lbs. 45.4 kgs. of Ice
			70°Air/ 50°F Water	90°Air/ 70°F Water		
AIR-COOLED	IDT0300A	dice	305 lbs.	230 lbs.	6.35 ★	20.0 gal
			138 kgs.	194 kgs.		75.7 L
AIR-COOLED	IYT0300A	half-dice	310 lbs.	230 lbs.	5.99 ★	20.0 gal
			141 kgs.	104 kgs.		75.7 L
WATER-COOLED	IDT0300W	dice	305 lbs.	258 lbs.	4.76	20.0 gal
			138 kgs.	117 kgs.		75.7 L
WATER-COOLED	IYT0300W	half-dice	310 lbs.	260 lbs.	4.74	20.0 gal
			141 kgs.	118 kgs.		75.7 L

* Water-cooled Condenser Water Usage / 100 lbs. /45.4 kgs. Of Ice: 140 gal / 564 L .
 * Water-cooled models are excluded from ENERGY STAR qualification.

Order ice storage bin separately.
 ★denotes Energy Star 3.0

Accessories

LuminIce® II Virus and Bacteria Inhibitor
 controls viruses and bacteria inside the ice machine.



External Scoop holder
 Protect the ice scoop with the NSF approved versatile scoop holder.



Arctic Pure® Water Filters
 Reduces sediment and chlorine odors for better tasting ice.



iAUCS® schedules and performs routine ice machine cleaning automatically.



Welbilt reserves the right to make changes to the design or specifications without prior notice.