



C-80BAJ-(AD)DS

Self-Contained Cubelet Ice Machine with Built-In Storage Bin



C-80BAJ-(AD)DS
01/31/18
Item # 13229

Item #: _____
Project: _____
Qty: _____
AIA#: _____

W x D x H
C-80BAJ / C-80BAJ-DS
14⁷/₈" x 22⁵/₈" x 33¹/₂"
Shipping Dimensions 20³/₄" x 30¹/₂" x 40"

C-80BAJ-AD / C-80BAJ-ADDS
14⁷/₈" x 22⁵/₈" x 31¹/₂"
Shipping Dimensions 20³/₄" x 30¹/₂" x 38"

* not including handle

(-AD) - ADA Compliant 

(-DS) - Customized Cabinet Door System



C-80BAJ
Air-Cooled
(Shown)

C-80BAJ-AD
Air-Cooled
ADA Compliant Unit



C-80BAJ-DS*
with Custom Cabinetry
(Shown)

C-80BAJ-ADDS*
Air-Cooled
ADA Compliant Unit

*Customer responsible for providing cabinetry



ISO9001-ISO14001



Features

- ▶ Full length stainless steel door handle
- ▶ UL approved for outdoor use
- ▶ Undercounter design

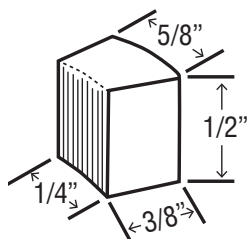
- Up to 80 lbs. of ice production per 24 hours
- Up to 22 lbs. of built-in storage capacity
- Power switch accessible without panel removal
- Less than 34 inches tall (C-80BAJ, C-80BAJ-DS)
- Less than 32 inches tall; ADA Compliant (C-80BAJ-AD, C-80BAJ-ADDS)
- Easily disassembled water circuit for easy cleaning
- Front in and out airflow
- Equipped with 6 ft. Cord with NEMA 5-15 Plug
- R-134A Refrigerant

Warranty:

2 Year Parts & Labor on entire machine.
1 Year Parts & Labor on HS-5061 Drain Pump Assembly.
Valid in United States, Canada, Puerto Rico and U.S. Territories. Contact factory for warranty in other countries.

Condenser	Model	ICE PRODUCTION		WATER USAGE		ELECTRICAL						
		Air / Water Temp Lbs. per 24 hours 70°/50°F 90°/70°F		Potable Gal. per 100 lbs. 90°/70°F	Condenser Gal. per 100 lbs. 90°/70°F	kWh Used per 100 lbs. 90°/70°F	Max. Fuse Sz or HACR Circuit Bkr	Amperage	Voltage	Heat Rejection BTU/hr.	Refrigerant Charge Amount	Net / Ship Weight (lbs.)
Air	C-80BAJ(-DS)	80	45	12.0	N/A	17.3	15A	4.0A	115V/60/1	1,850	3.92 oz	118 / 130
Air	C-80BAJ-AD(-DS)	80	45	12.0	N/A	17.3	15A	4.0A	115V/60/1	1,850	3.92 oz	118 / 130

Mini Cubelet Dimensions*



* approximate size in inches, image not to scale

Operating Limits

- Ambient Temp Range 45 - 100°F
- Water Temp Range 45 - 90°F
- Water Pressure 7 - 113 PSIG
- Voltage Range 104-127V

Service

- Allow enough clearance at rear for water and drain connections with 15" (38 cm) clearance in the front.
- Location must provide a firm and level foundation.
- Do not place near ovens, grills or other high heat producing equipment.

Parts

- Optional Side Trim Kit: HS-0182
- Optional Top Trim Kit: HS-2133
- Optional Drain Pump Assembly: HS-5061
- Water filter: H9320-51

Plumbing

- Icemaker Water Supply Line: Minimum 1/4" Nominal ID Copper Water Tubing or Equivalent
- Icemaker Drain Line: Minimum 1/2" Nominal ID Hard Pipe or Equivalent

Water Filter

Please refer to water filter spec sheet for recommended configurations.

Hoshizaki reserves the right to change specifications without notice.



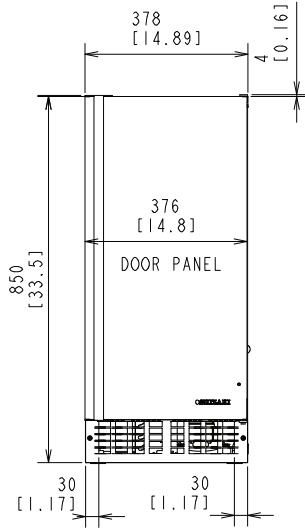
C-80BAJ-(AD)DS

Self-Contained Cubelet Ice Machine
with Built-In Storage Bin

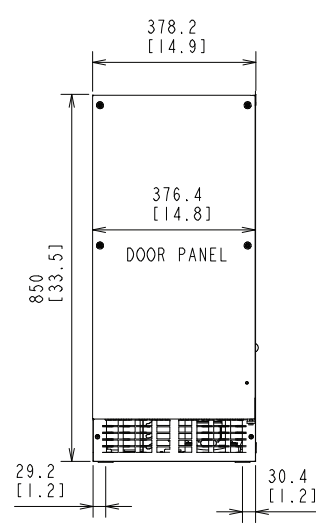


C-80BAJ-(AD)DS
01/31/18
Item # 13229

FRONT VIEW



C-80BAJ*

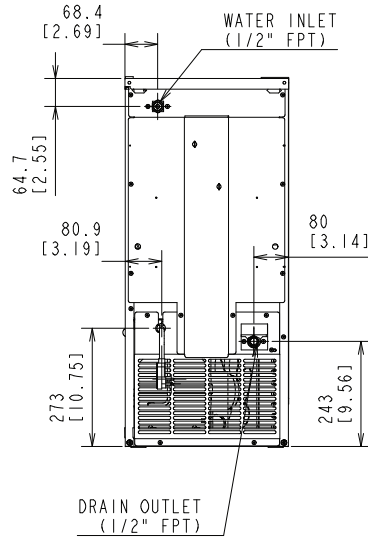


C-80BAJ-DS*

mm
[inch]

* -AD models have height of 31.5"

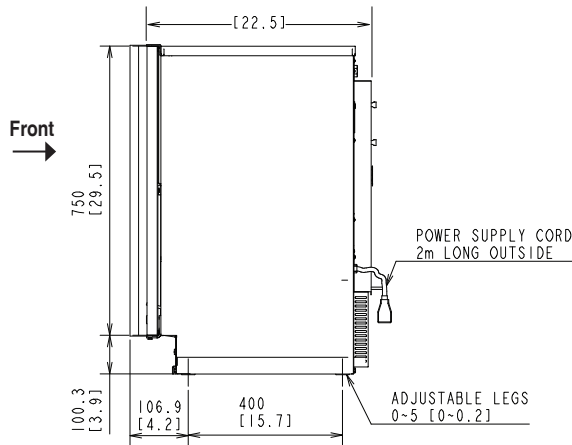
REAR VIEW



C-80BAJ-(DS)*

* -AD models have height of 31.5"

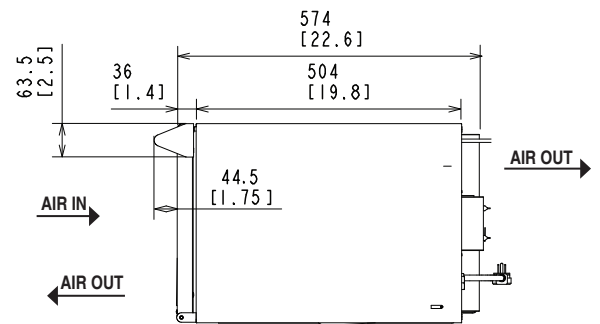
SIDE VIEW



C-80BAJ*

* -AD models have height of 31.5"

TOP VIEW



C-80BAJ*