

# USE0050 Square Cube Ice Machine

USE0050 Square Cube Ice Machine

Models: USE0050A



USE0050A

## Standard Features

- Produces up to 45 lbs. (20 kgs) of ice in 24 hours with storage capacity of 25 lbs. (11 kgs)
- Individual cubes with unique square shape.
- Designed to be installed into standard cabinet dimensions 15.00" (38.00 cm) or stand alone with stainless steel top and sides standard.
- Easily accessible control panel with the following functionality:
  - Automatic ice making mode.
  - Patented cleaning and sanitizing.
  - Delay start option.
  - Filter replacement warning light.
- Water filter system integrated inside machine with depth filtration and scale inhibitor.
- Lighted bin (LED light) with large opening for easy access.
- Optional drain pump easily integrates inside the machine during installation.

## Warranty

- 3-year commercial parts and labor warranty on entire machine.

## Cube Size

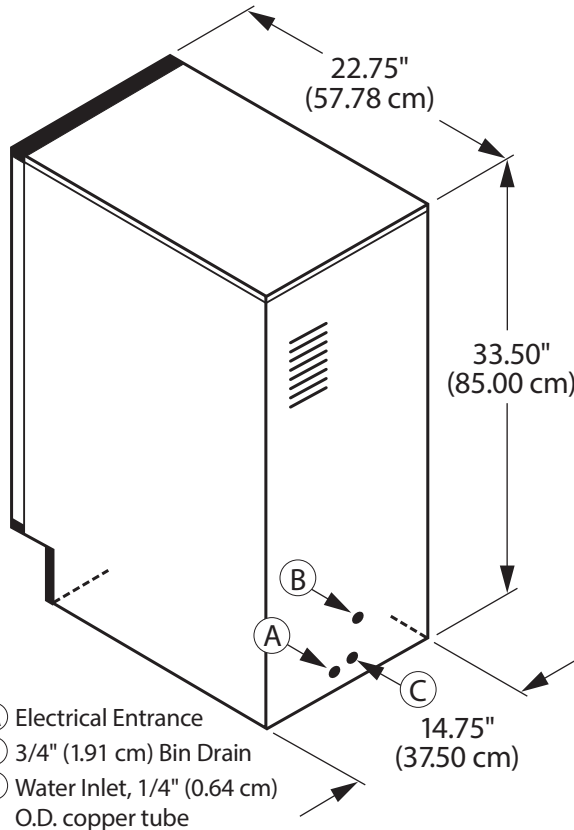


**Square**  
1.5" x 1.5" x 1.5"  
40g square cube





# USE0050 Square Cube Ice Machine



Installation Note - There is no minimum clearance required, designed to be integrated into cabinet opening 15.00" (38.00 cm) wide.

## Ice Machine Electric

**115/60/1** Factory pre-wired with a 6' (180 cm) power cord and NEMA 5-15P-plug configuration.

**Total Amps:** 4.1

**Max. fuse size:** 15 amps

HACR-type circuit breakers can be used in place of fuses.

## Specifications

### BTU Per Hour:

1,145 (average) 2,300 (peak)

### Compressor:

Nominal rating: 1/6 HP

### Operating Limits:

- Ambient Temperature Range: 50° to 110°F (10° to 43°C)
- Water Temperature Range: 35° to 90°F (2° to 32°C)
- Water Pressure Ice Maker Water In: Min. 20 psi (138 kPA) Max. 80 psi (551 kPA)

### Legs:

Levelers standard 0" to 1" (0-2.5 cm) adjustability.  
Optional legs (K-00345) 4.25"-6.00" (10.80-15.24 cm).

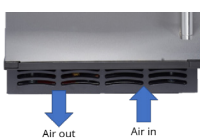
### Insulation:

Insulation foamed-in-place with CFC-FREE foam.

Model	Ice Shape	Ice Production in 24 Hours				Power kWh/100 lbs @90°/70°F
		70° Air/50° F Water		90° Air/70° F Water		
		21° Air/10° C Water		32° Air/21° C Water		
		lbs.	kgs.	lbs.	kgs.	
USE0050A	Square	45	20	35	15	22
Water Usage: 100 gal (45.4 kgs of ice)						
Potable Water: 50 gal (189 liters)						

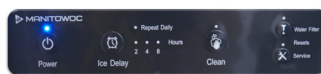
"A" following model number indicates "Air" cooled condensing unit.

### Air Flow Front View



Air in the right, air out left, no side, and vents

### Front Access Control Panel



Machine automatically keeps the bin full. Choose delay start for optimal quietness. Machine automatically restarts.

### Water Filter



Auto-bypass for easy change out. Replacement water filter is AR-2800 (K-00374 12 pk)

Welbilt reserves the right to make changes to the design or specifications without prior notice.