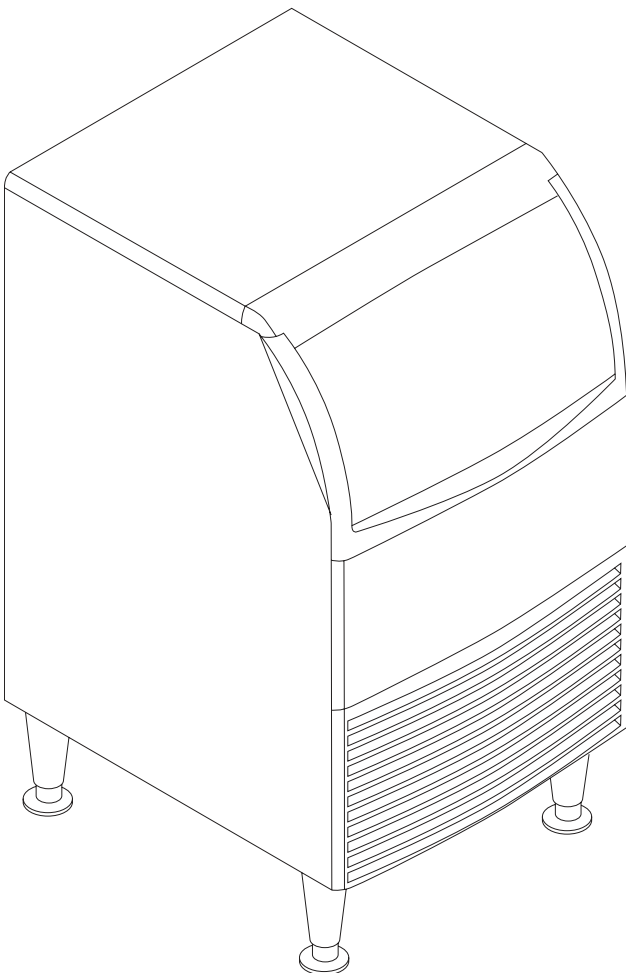




Installation and User's Manual for Cube Ice Machine with storage models CU0415, CU0715 and CU0920



Introduction

The design of this product is the result of years of experience in developing commercial ice cube machines. It has been designed for simple operation in a wide range of locations. Please follow the instructions for installation and maintenance to get the most use from this ice machine.

Table of Contents

Important Details2

Pre-Installation.....3

Cabinet Layout, CU0415 and CU07154

Cabinet Layout, CU09205

Component Location6

Connect the water supply7

Connect the power8

Control Panel and Adjustments9

Initial Start Up10

Use and Operational Notes11

Maintenance12

Before calling for service14

115/60/1 Wiring Diagram15

Observe the Caution and Warning notices. They are indicators of important safety information. Keep this manual for future reference.

Important Details

The machine is designed for use indoors in a controlled environment. It must be kept dry, not overheated or subjected to excessive cold. The water and power supply must be maintained or the machine will stop making ice.

There are limits to how hot or cold the room it's in can be.

- Minimum air temperature: 50°F or 10°C
- Maximum air temperature: 100°F or 38°C.

There are also limits to how hot or cold the water supply can be:

- Minimum water temperature: 40°F or 4.5°C
- Maximum water temperature: 100°F or 38°C.

There are limits to the voltage supply to the unit, voltages vary by model:

Voltage

	115 (-1)
Minimum	104
Maximum	126

Water supply must be potable by the localities definition.

There are limits to the water pressure supplied to the unit:

- Maximum pressure, static: 80 psi or 5.5 bar
- Minimum pressure, dynamic: 15 psi or 1 bar

A drain will be needed for melted ice and rinse water.

Warranty:

The warranty statement for this product is provided separately from this manual. Refer to it for applicable coverage. In general warranty covers defects in material or workmanship. It does not cover maintenance, corrections to installations, or situations when the machine is operated in circumstances that exceed the limitations printed above.

This is a commercial model, if installed in a residence some commercial service companies may not be able to service it on site.

The manufacturer has designed and produced this machine with the finest in materials. The manufacturer assumes no liability for units that have been altered in any way. Alterations or part substitutions will void the warranty. Specifications and designs are subject to change without notice.

Options:

There are two floor mounting kits available:

- KUFM15: for 15" models
- KUFM20: for 20" model

Pre-Installation

This appliance is intended to be used in commercial applications including:

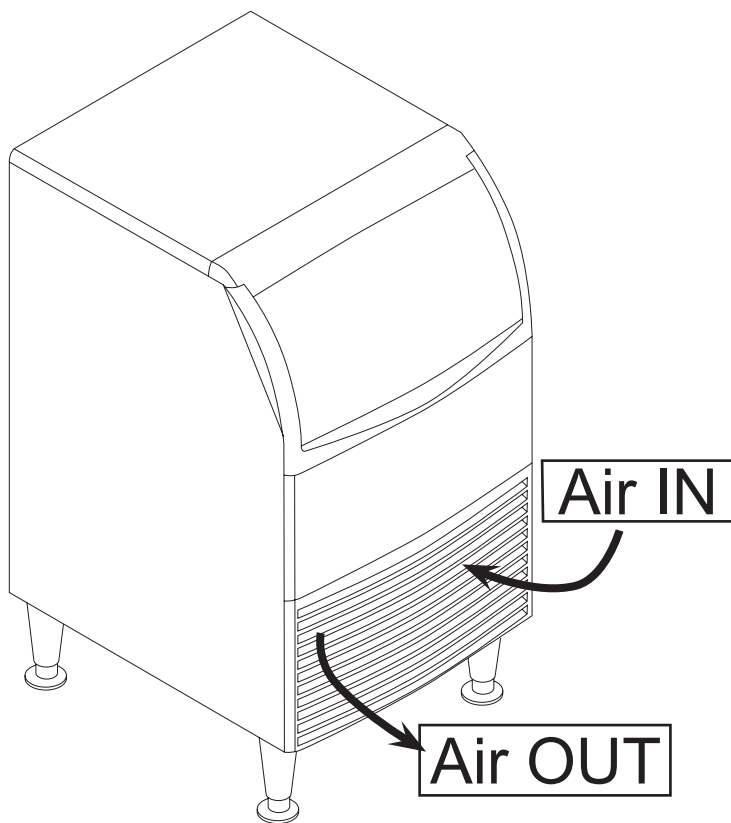
- Restaurant kitchens
- Bars
- Hotels

Dimensions and Electrical:

Model	Electrical (volts/Hz/Phase)	Width (in / cm)	Depth (in/cm)	Height (w/o legs) (in/cm)	Total Load Amps
CU0415MA-1A	115/60/1	15 / 38	23.7 / 60.3	31.94 / 81.1	8
CU0715MA-1A	115/60/1	15 / 38	23.7 / 60.3	31.94 / 81.1	8
CU0920MA-1A	115/60/1	20 / 51	23.7 / 60.3	31.94 / 81.1	8

Location:

The unit can be built into a cabinet as the air flow is in and out the front. **The front of the machine must not be blocked.** Certain maintenance or repair procedures will require removal of the top, back and side panels, so plan ahead for service and maintenance needs.



Spacing:

No additional spacing is required at the top or sides. However, suggested minimum side clearance for installation is 1/8 inch or 3 mm and suggested minimum top clearance is 1/4 inch or 7 mm.

Allow 4 inches (100 mm) minimum space at the back for the utility connections. Do not block louvers at the front of the cabinet.

Unpacking and setup

Remove all shipping and packing materials that may be in the ice storage bin.

The unit can be installed with or without legs. The cabinet is equipped with small bumpers on the base to allow placement without legs. An optional floor mounting kit is also available to fill the gap between the machine and floor if not using legs. If using legs, carefully tip the machine and install the legs by screwing them into the leg sockets in the bottom of the machine. For reference, the thread size is 5/8 – 11. If the machine has been tipped onto its side or back allow 1 hour before starting the unit for the oil in the refrigeration system to return to the compressor.

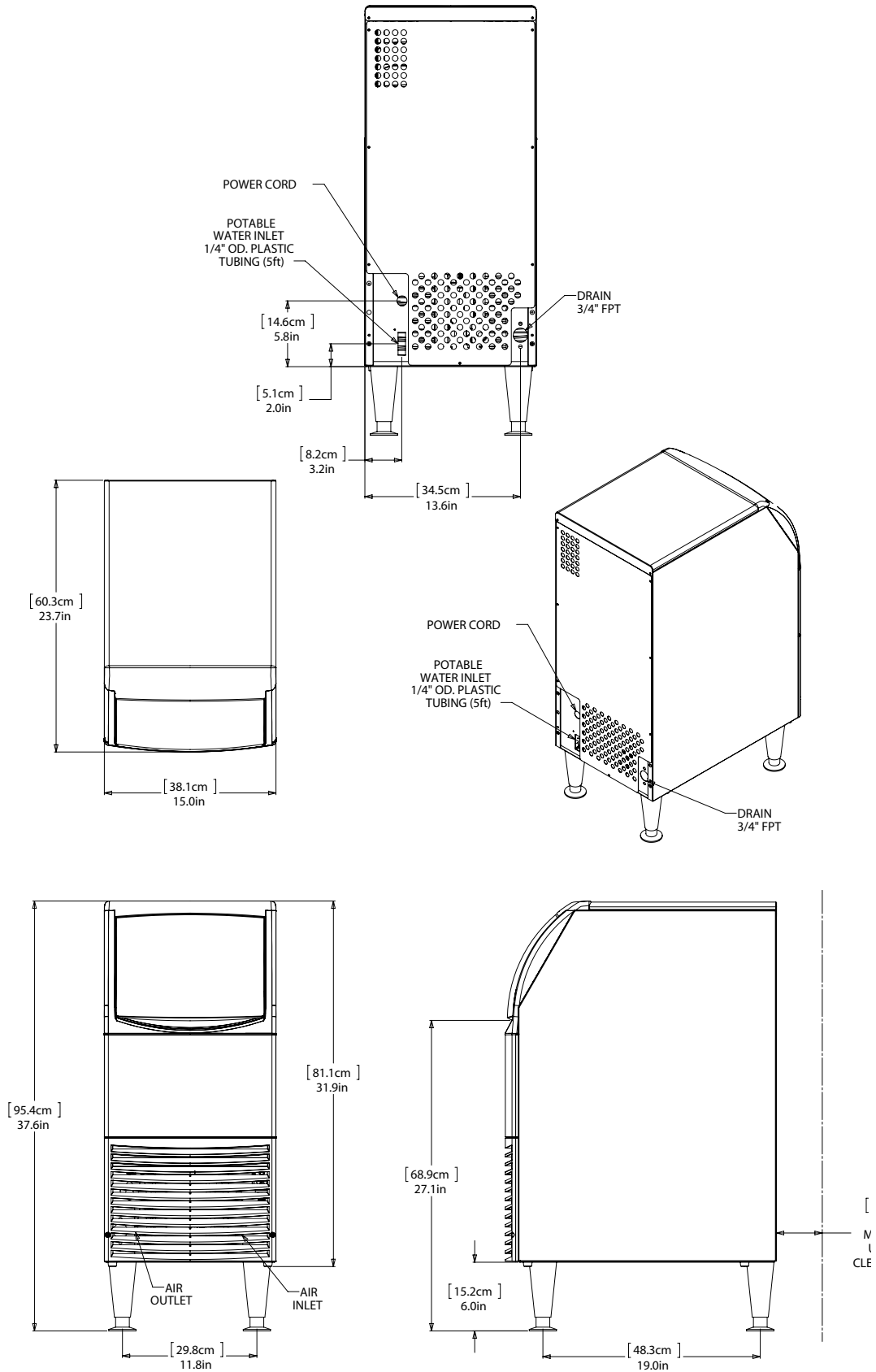
Place the machine in its intended location and level it front to back and left to right. If using legs, adjust their feet in and out to level the cabinet.

If legs are not used the bottom edges of the cabinet must be sealed to the floor.

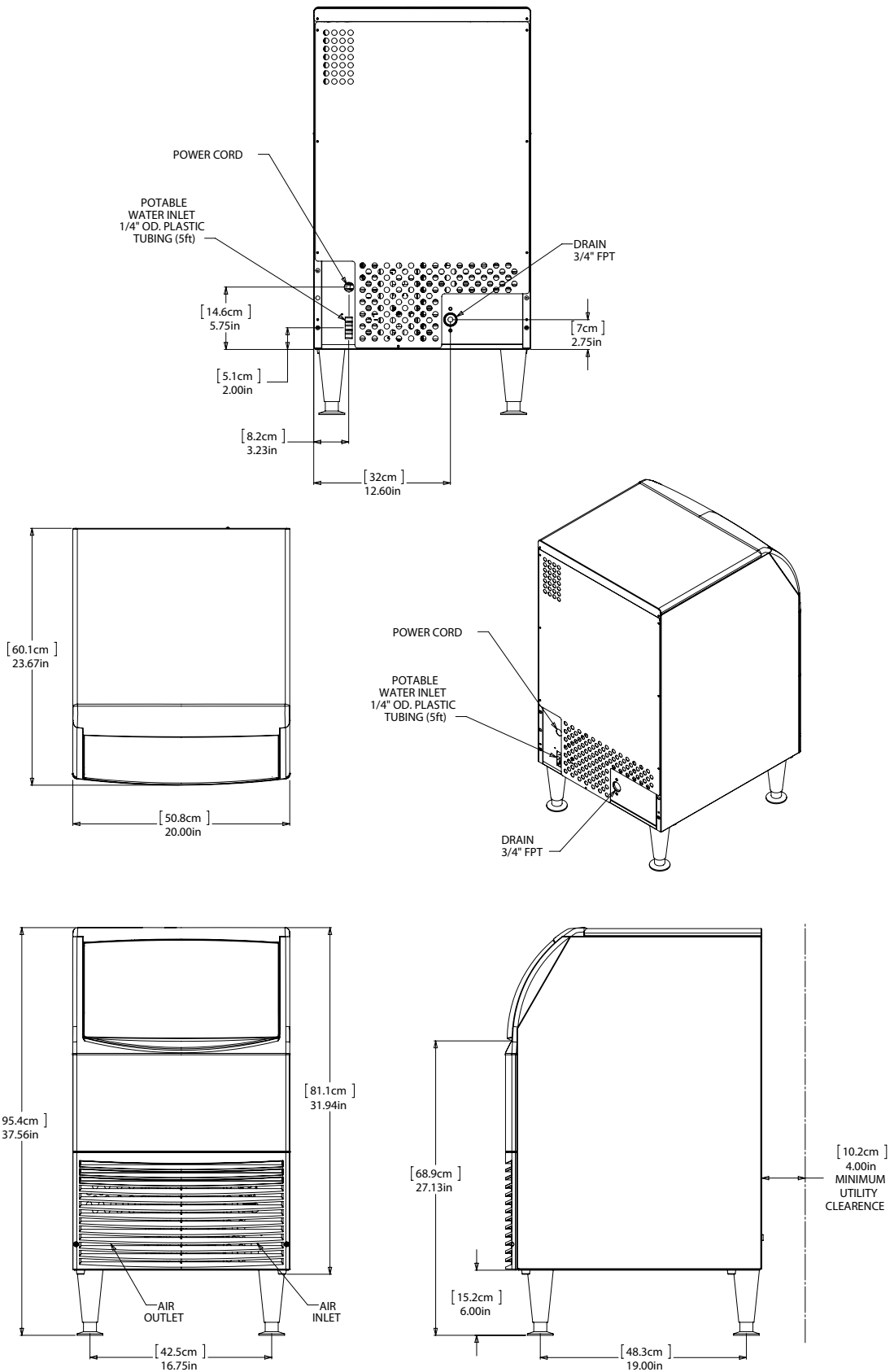
If built into a cabinet, the adjacent cabinet walls will provide the means for containment. There are no means for attachment to the cabinet.

Be sure to remove the plastic covering the exterior panels, if left on it will be much harder to remove later.

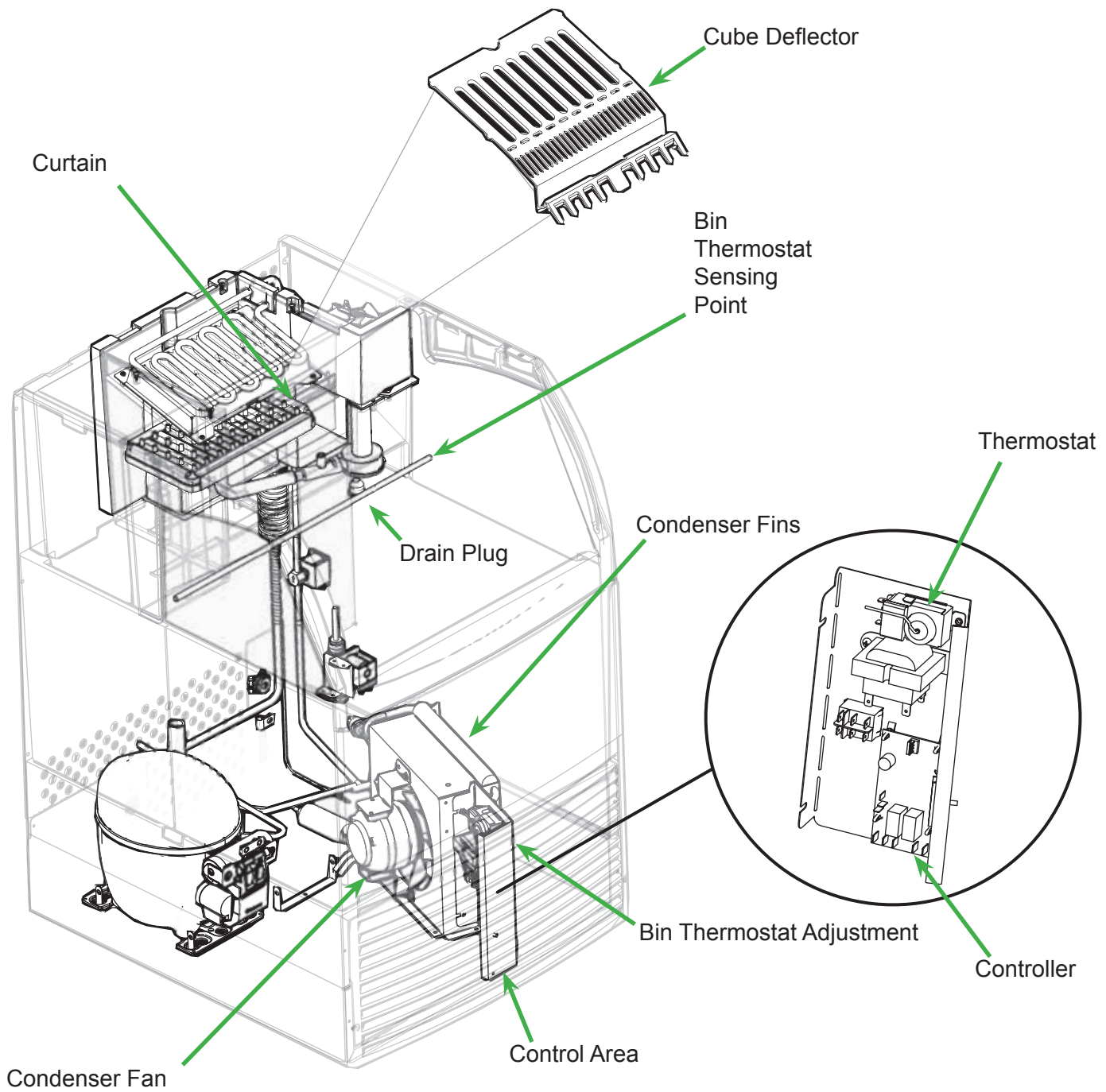
Cabinet Layout, CU0415 and CU0715



Cabinet Layout, CU0920



Component Location



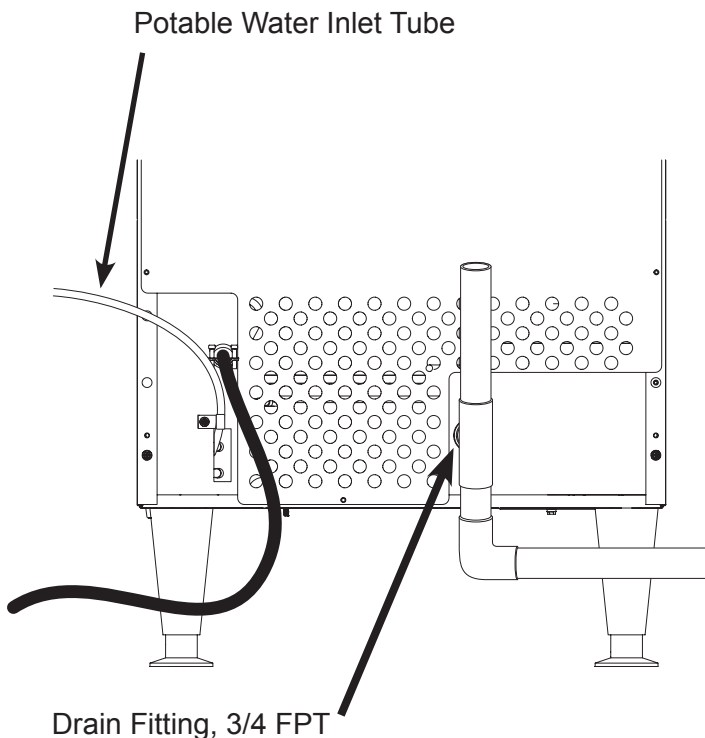
Connect the water supply

Plumbing information:

- The water supply connection is at the back panel. It is a 5' (1.5 meter) 1/4 inch (6.35 mm) OD plastic tube.
- A hand actuated valve within site of the machine is required to isolate the unit when it's being serviced.
- The machine has a built-in back flow preventer (an air gap between the end of the water inlet hose and the top of the reservoir water), no additional back flow preventer is needed.
- Water flow rate into machine is .25 GPM / .94 LPM.

Units that are built into a cabinet:

Include a loop or coil of tubing between the water supply and the connection on the ice machine. When the machine is pushed back into the cabinet the tubing will coil and not kink.



Connection Information:

WARNING: connect to potable water supply only.

Important: Open the hand water valve to flush water through the connection point before connecting to the ice machine.

1. Cut cable ties securing hose and power cord to unit.
 2. Connect to cold, potable water using the necessary adapters for the 1/4 inch OD plastic tube.
- If using compression fittings they require a ferrule or sleeve and insert.
 - A female 3/8 compression adapter x 1/4 OD compression allows connection to a typical 3/8 OD compression angle valve.
 - Another connection method is by quick connect fittings.

Note: Do not use a piercing-type saddle valve to connect to the building's water supply. Valves of that type restrict water flow and clog easily.

Connect the drain

The drain connection is at the back panel. The fitting size is 3/4 FPT.

1. Connect rigid tubing to this fitting and vent it at the machine, use an 8 inch or 200 mm vertical tube for the vent.
2. Slope drain tubing down from the ice machine to the building drain and the slope must be at least 1/4 inch per foot or 20 mm per meter.
3. Insulate the drain tubing to reduce condensation and is recommended for environments that have high humidity.

Due to the potential for leaks, condensate pumps are not recommended.

Connect the power

This is a cord-connected unit, and must be connected to its own dedicated power supply. Check the dataplate on the back of the machine to confirm the voltage and per the dataplate use fuses or HACR circuit breakers.

Power Cord:

This 115 volt model is equipped with a cord and 5-15P plug.

Follow All Local Codes - This Unit Must Be Grounded. Do not use extension cords and do not disable or by-pass ground prong on electrical plug.

Plug the power cord into the proper power supply.

Installation check list

- Has the machine been installed indoors in an environment suitable for it?
- Have all of the shipping items and packaging been removed?
- Has the plastic covering the exterior panels been removed?
- Is the cube deflector in the correct position?
- Is the clear plastic curtain hanging down and free to move?
- Has the water supply been connected and confirmed to not leak?
- Has a properly sized and sloped drain tube been attached?
- Has the correct voltage power supply been connected?



Front view of freezing compartment, right arrow points to Spray Platform, under the Cube Deflector. Push curtain back and check that it is in this position.

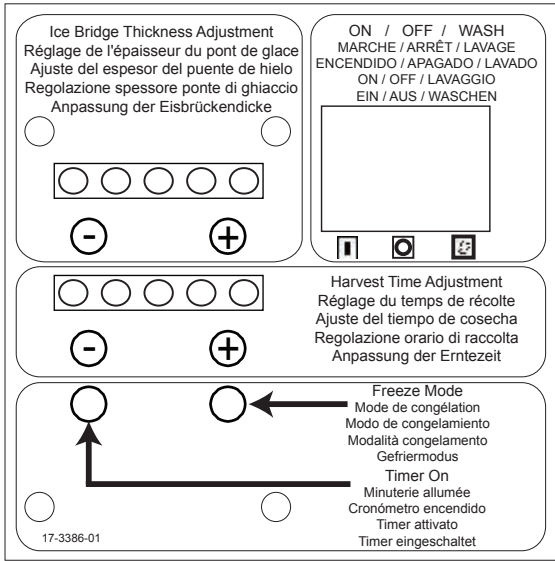
Left arrow points to Cube Deflector, it must be positioned as shown, it snaps onto front edge of reservoir. Remove any packing materials.



Front view of freezing compartment, arrow points to clear plastic curtain. After checking spray platform, pull curtain down to hang freely. This is its normal position.

Control Panel and Adjustments

Ice Bridge Thickness Adjustment Area



Master Switch. Move to ON (left side depressed) to make ice, OFF (centered) to shut off and WASH (right side depressed) for use in cleaning.

Harvest Time Adjustment Area

Indicator Light Area.

Freeze Mode light is ON when unit is in a Freeze cycle.

Timer On light is ON when trigger point temperature is reached in Freeze or Harvest.

Ice Thickness Diagram



Ice Too Thin



Ice Just Right

Bridge Thickness



Ice Too Thick

Adjustment Indicator Lights

Each push and release of the + or - button will change the lights that glow or blink indicating a change in ice size or harvest time. Example: pushing + one time changes a blinking light to steady on type. If the lights are on steady a single push of + will add one more light to the right and it will blink. There are 10 settings. All 5 lights on steady is the maximum setting and one blinking light is the minimum.

Ice Bridge Thickness Adjustment

Refer to the Ice Thickness Diagram for proper ice size.

Adjust by pushing the + sign or - sign on the ice bridge adjustment section of the control panel. Changing bridge thickness should be a one-time adjustment as the machine will automatically maintain that ice thickness.

Harvest Cycle Time Adjustment

After ice has formed in the inverted mold, it must be released so it can be deposited in the storage bin section. The harvest cycle is when that occurs, and must be long enough for the ice to release. While the harvest cycle length is self adjusting it can also be manually adjusted if needed.

Proper harvest time is when the ice falls into the bin and there is about 10 seconds extra harvest time (pump and fan are off) before the freeze cycle restarts.

If the harvest time is too short to release the ice, the time may be increased by pushing the + sign on the harvest time adjustment section of the control panel. Operate the machine for another cycle to confirm that the adjustment was correct. Note that too much harvest time will slightly decrease making ice capacity.

Initial Start Up

1. Remove the front panel by removing the two screws holding it to the cabinet and pulling the panel down and off the machine.
2. Turn on the water supply, correct any leaks.

Note: Water supply MUST be turned on first to allow water to enter the machine properly.

3. Locate the On/Off/Wash master switch.
4. Move the switch to the On position.
5. Ice bridge thickness and harvest time indicator lights will switch on. They will not change unless the cube size or harvest times are manually adjusted. The timer light will also be on.
6. The unit begins to fill the reservoir with water. Two streams of water can be seen behind the curtain. The compressor and hot gas valve will be energized, but the fan motor and pump will be off. After a time the water will have filled the reservoir but will continue to fill and excess water will drain from the machine. This is normal and helps the machine from forming excessive mineral scale.
7. After 2 minutes the water and hot gas valves will close and the pump and fan motors will start. A blue light in the control panel will glow indicating the beginning of the freeze cycle.
8. Warm air will begin to blow out the left front of the machine and water will spray up at the inverted ice making mold. It is normal for a small amount of water to drip from the ice making area.

When the water temperature reaches a pre-set point the water pump will stop for about 30 seconds then resume.

Freezing then continues for many minutes until the temperature of the refrigeration system drops to a set point, indicated by a yellow light glowing on the control panel. In colder rooms the fan motor may turn on and off. After the yellow light switches on the freeze cycle continues for seven more minutes. At that time the unit changes to the ice release or harvest cycle. During the ice harvest the hot gas valve and inlet water valve are open, while the pump and fan motors will stop. The blue and yellow lights will go out. Water will refill the reservoir.

9. Within a minute or so the ice formed in the mold will fall down and slide into the ice storage bin. The ice will release as a group so all of the ice formed will fall at once and the next freeze cycle will begin in a few seconds. The timer light may switch on at the end of the harvest cycle.
10. Check the thickness of the ice connecting the cubes to each other, that connection is known as a bridge and it should be about 1/8 inch or 3 to 4 mm thick. It is preset from the factory and should be satisfactory.

Adjustments:

If the ice bridge is too big or too small, the thickness may be adjusted.

Note: The bridge thickness adjustment is used to obtain the CORRECT size, not to adjust to individual preferences. Do NOT make the ice bridge too thick or too thin, as either will reduce ice making capacity. Do NOT attempt to adjust the machine to release individual cubes. There is only ONE correct size.

11. Ice making will continue until the ice level reaches the metal tube in the storage bin, when ice contacts that tube the machine will stop making ice. This can occur in any part of any cycle.
12. Removing ice from the ice storage bin will restart the ice making process.
13. Check for and correct any water leaks from the unit or drain system.
14. Return the front panel to its normal position and secure it to the cabinet with the original screws.

Typical Cycle Times (minutes)

Note: First cycle after any restart will be longer than listed here.

	70/50°F. (21/10°C.)	90/70°F. (32/21°C.)
CU0415	28-30	34-37
CU0715	16-18	23-26
CU0920	14-16	17-19

The time to fill a warm storage bin from empty varies by cabinet temperature and cycle time, but will take about 10-12 hours.

Use and Operational Notes

To use, simply lift the door by its bottom edge and slide it up and into the top of the machine. Use the scoop to remove ice and close the door.

The machine will make the most ice if it has plenty of room to breathe. This is an air cooled product and it must be able to take in room air and discharge air heated by the ice making process. Blockage of vents or exposure to excessive heat will reduce the ice making and storage capacity. The storage bin is insulated but not refrigerated, so ice will melt during use. That is normal and assures that fresh ice is available in the bin.

The fan will make some noise during operation, however rattles and other vibrations are not normal and should be attended to. When the air temperature surrounding the machine is cold, the fan might cycle on and off during the freeze mode.


If the machine is in a space colder than the minimums listed it will not switch on to make ice.

Minor adjustments may be made to compensate for local conditions by rotating the adjustment screw visible above the control area. If in a cold room, CW rotation changes the control to COLDER to fill the bin higher.

If installed at an altitude greater than 2000 ft or 610 meters above sea level, the bin thermostat may need internal adjustment. The adjustment screw is behind the front of the control, accessed through a hole for it.

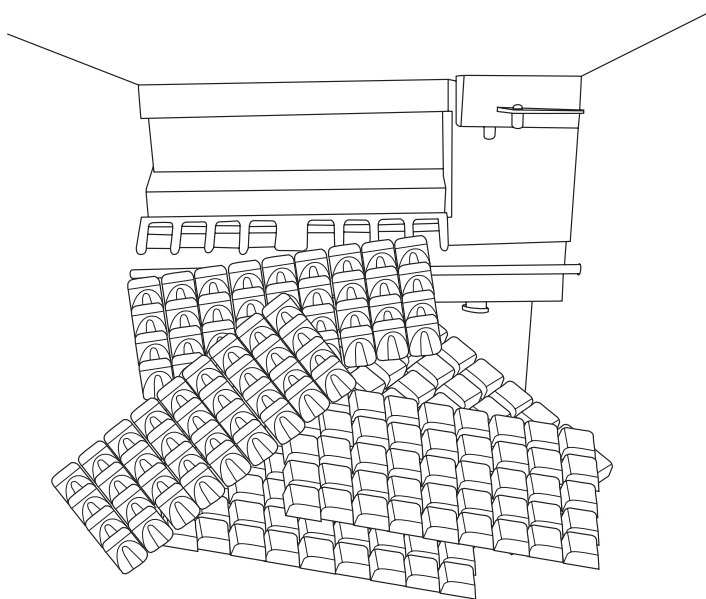
Bin Thermostat Altitude Adjustment Table:

Altitude (ft)	Altitude (meters)	Degree of adjustment
0	0	11 CCW
500	150	none
1000	300	11 CW
2000	600	31 CW
3000	900	52 CW
4000	1200	72 CW
5000	1500	92 CW
6000	1800	111 CW
7000	2100	128 CW

 CAUTION	No Step Do not stand on the machine. Severe damage can occur.
--	--

This appliance is not intended for use by persons (including children) with reduced physical, sensory or mental capabilities, or lack of experience and knowledge, unless they have been given supervision or instruction concerning use of the appliance by a person responsible for their safety.

Children should be supervised to ensure that they do not play with the appliance.



Typical Full Bin

Maintenance

Regularly vacuum the right side of the air cooled condenser with a brush to remove all loose dust and dirt. Be careful not to damage the fins.

Cubed ice machines of this type make ice that is more pure than the water supplied to it. Since the ice has fewer impurities, the water that remains in the reservoir has more. The water system dilutes that concentration but eventually it does build up and need to be removed. Over the years it has been determined that the typical scale removal frequency is about 2 times per year.


To remove scale from the water system.

Materials needed:

Food grade, nickel safe scale remover for ice machines, also known as ice machine cleaner.

- Sanitizer
- Hand tools.
- Clean bucket
- Clean cloths
- Rubber or plastic gloves

1. Remove front panel.
2. Move master switch to Off, wait a minute and then move it to On.
3. When the freeze cycle begins (blue light on), switch the machine to Off.
4. Remove and discard the ice.
5. Drain reservoir by pulling drain plug and return drain plug to its original position.

CAUTION	Ice machine scale remover contains acids. Acids can cause burns.
	If concentrated cleaner comes in contact with skin, flush with water. If swallowed, do NOT induce vomiting. Give large amounts of water or milk. Call Physician immediately. Keep out of the reach of children.

6. Mix a solution of 5 oz or 150 cc of Scotsman Clear 1 Scale Remover and 2.5 quarts or 2.4 liters of clean, warm (95°F/35°C to 115°F/46°C) water.
7. Pour the solution into the reservoir by carefully adding it at the reservoir's front lip.
8. Move the master switch to the Wash position.
9. Wait 10 minutes.
10. Move the master switch to the Off position.
11. Drain the reservoir by removing drain plug and draining the solution into the bin. Return the drain plug to its normal position.
12. Remove spray platform by removing cube chute and lifting spray platform up and off its connection. If needed open platform and confirm all jets are open. Rinse out any debris, reclose and return it and the cube chute to the unit. Be sure gasket is positioned correctly - narrow side faces up toward jets.
13. Pour 2.5 quarts or 2.4 liters of warm (95°F/35°C to 115°F/46°C) water into the reservoir by adding it at the reservoirs' front lip.
14. Switch the master switch to Wash for 1 minute, then switch it to Off.
15. Repeat step 11. Go to the next process to sanitize the machine.

Sanitize Water System – after completing prior scale removal and stopping at the end of its steps.

1. Mix a 1 gallon or 4 liter solution of locally approved sanitizer and clean, warm (95°F/35°C to 115°F/46°C) water. Use an EPA approved food equipment sanitizer at the solution mix recommended by the sanitizer manufacturer.
2. Pour about half of the sanitizer mix into the reservoir.
3. Remove the cube chute and spray platforms and wash them with the sanitizer, then return them to the ice machine.
4. Move the master switch to the Wash position.
5. Circulate the sanitizer for 2 minutes.
6. Move the master switch to Off.

7. Drain the reservoir into the storage bin by removing the drain plug. Return the drain plug to its normal position.
8. Wash all interior surfaces of the ice machine storage bin, reservoir surface and inside of the door with the remaining sanitizer solution.
9. Pour any excess sanitizer down the ice machine bin drain.
10. Pour 2.5 quarts or 2.4 liters of warm (95°F/35°C to 115°F/46°C) water into the reservoir by adding it at the reservoirs' front lip.
11. Move the master switch to the Wash position for 1 minute, then switch it to Off.
12. Drain the reservoir by removing the drain plug and draining the solution into the bin. Return the drain plug to its normal position.
13. Move switch to the On position. The machine will resume normal ice making.
14. Return the front panel to its original position and secure it with the original screws.

Cleaning the Condenser

1. Remove the front panel.
2. Switch the machine to OFF.
3. Vacuum the surface of the condenser fins, carefully brush off any loose dirt. If grease is imbedded use coil cleaner to wash it out.
4. Switch the machine to ICE.
5. Return the front panel to its original position.

Before calling for service

No ice – check water supply

No ice – check power supply. Remove front panel, if there are no lights on the control panel either the bin thermostat is open, keeping the machine off, OR there is no power to the controller.

No ice – check temperature of cabinet. If too cold the machine will not operate.

Slow production – check condenser for dirt, clean condenser.

Slow production – check temperature of cabinet, if the room is hot or air flow restricted, production will be slow.

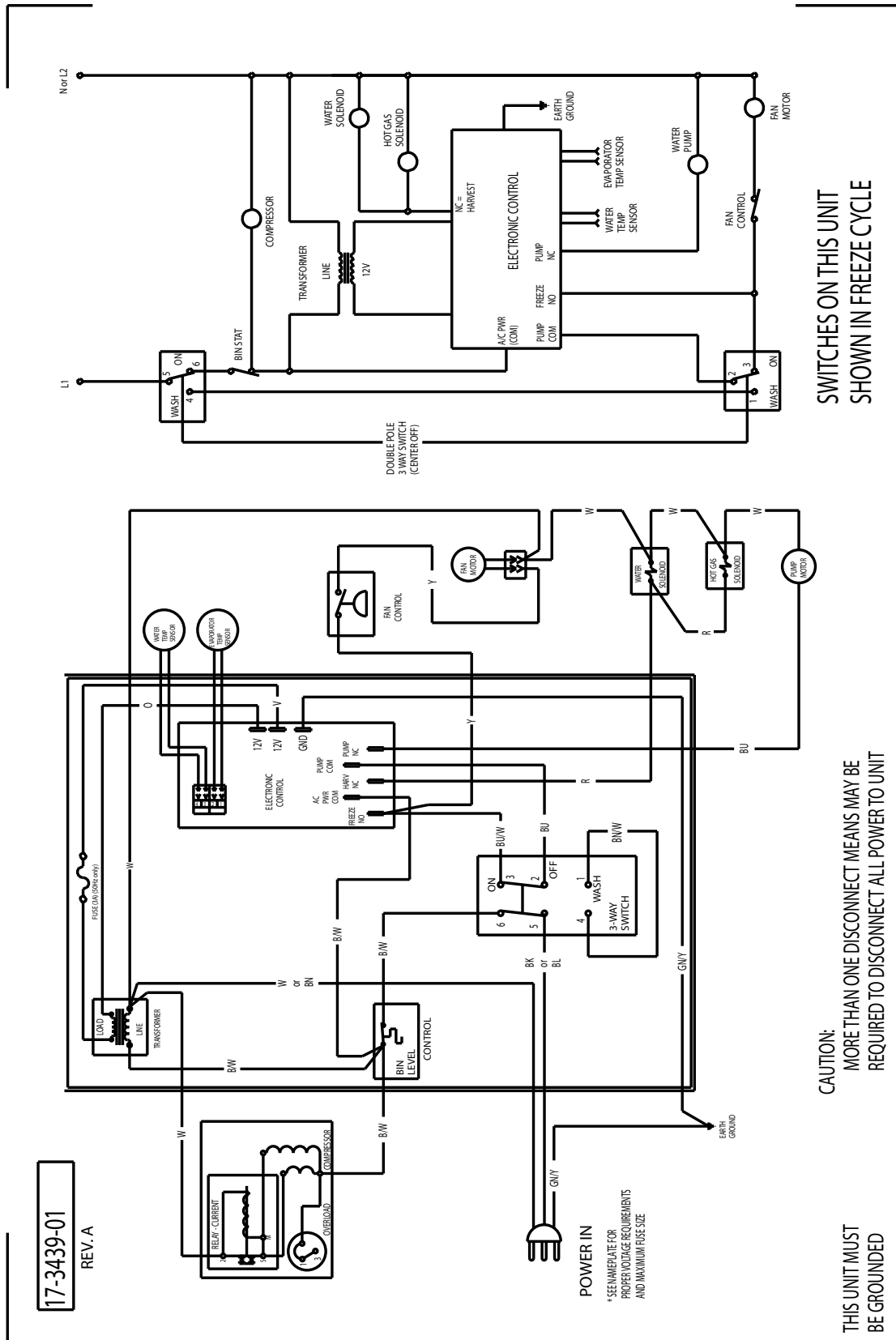
Ice is poorly formed. Check spray. If some spray jets are restricted, ice will be poorly formed. Clean water system to correct.

Note: In areas where the water supply has a high mineral content, the spray jets may need frequent clearing. Increasing the harvest time will flush more water and help to reduce the frequency of cleaning.

To increase harvest time:

1. Confirm unit is in ice making mode. If the bin is full and the unit is off the controller cannot be adjusted.
2. Remove the front louvered panel.
3. Increase the time by pushing the + sign on the harvest time adjustment section of the control panel. Each push increases the time.
4. Return the front louvered panel to its normal position.

115/60/1 Wiring Diagram



SCOTSMAN ICE SYSTEMS

101 Corporate Woods Parkway

Vernon Hills, IL 60061

USA

847-215-4500

800-726-8762

www.scotsman-ice.com