



Avantco Ice Machines

Item #: 194KMCH530LA Project: \_\_\_\_\_

Qty: \_\_\_\_\_ Date: \_\_\_\_\_ Approval: \_\_\_\_\_

## Avantco Ice KMC-H-530-LA 30" Air Cooled Modular Half Cube Ice Machine with Ice Bin - 500 lb.

Item #194KMCH530LA



### Technical Data

Ice Bin Width	30 1/2 Inches
Ice Machine Width	30 Inches
Overall Width	30 1/2 Inches
Ice Bin Depth	34 Inches
Ice Machine Depth	24 3/8 Inches
Overall Depth	34 Inches
Ice Bin Height	51 Inches
Ice Machine Height	22 3/8 Inches
Overall Height	73 3/8 Inches
Amps	9.4 Amps

### Features

- Makes up to 500 lb. of half cube ice per day; Ice storage bin capacity 536 lb.
- Durable roto plastic finish exterior with a polyethylene interior
- Digital controller allows user to quickly identify issues and the current stage of production
- Includes bright LED lights and a removable air filter
- R290 refrigerant; 115V

### Certifications



5-15P



ETL Sanitation



ETL US & Canada



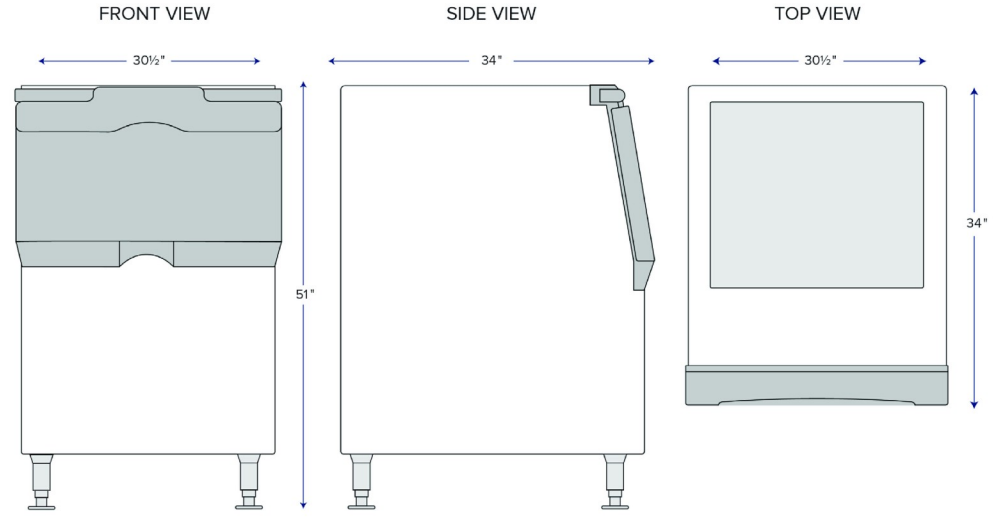
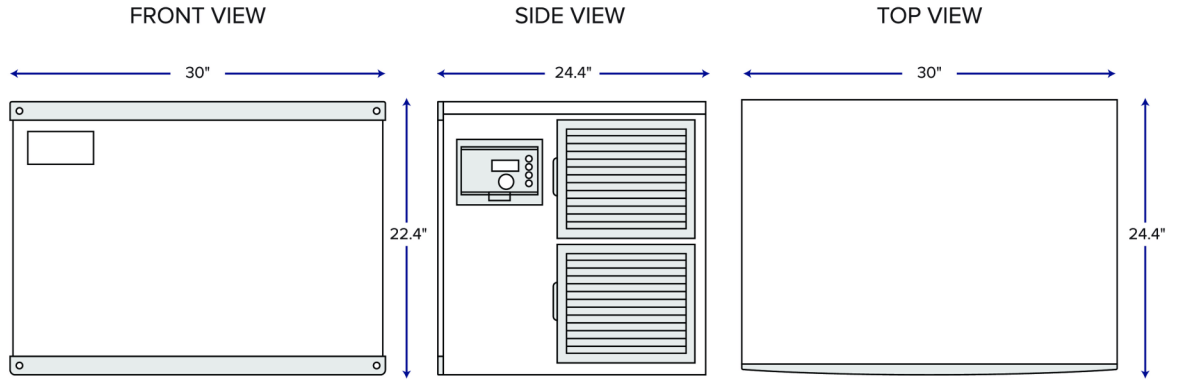
3/4" Water Connection



## Technical Data

Phase	1 Phase
Voltage	115 Volts
24 Hour Ice Yield	500 Pounds
Ambient Temperature Range	40 - 90 Degrees F
Average Running Decibels	73 Decibels
Bin Storage Capacity	536 lb.
BTU Per Hour	3798 BTU
Color	Silver
Condenser Type	Air Cooled
Exterior Material	Roto Plastic Finish
Features	LED Lighting
Ice Type	Half Size Cubes
Installation Type	Modular
Interior Material	Polyethylene
Plug Type	NEMA 5-15P
Power kWh/100 lbs. Ice	4.7 kWh
Refrigerant Type	R-290
Type	Ice Machines with Bins
Water Inlet Size	3/4 Inches
Water Pressure Range	18 3/4 - 80 PSI
Water Temperature Range	40 - 90 Degrees F
Water Usage	13.6 Gallons per 100 lbs.

**Plan View**





## Notes & Details

Make sure you've always got plenty of fresh ice on hand with the Avantco Ice KMC-H-530-LA 30" air cooled modular half cube ice machine with bin! Capable of producing up to 500 lb. of full cube ice per day, you'll always have plenty of ice to serve on demand at your restaurant, bar, or cafe. An included ice bin holds up to an impressive 536 lb. of ice, making it ideal for busy establishments that can not afford long periods of down-time while ice is being made. The ice bin features a durable roto plastic exterior with a polyethylene interior. Also included is an ice scoop, a scoop holder ledge just inside the door where the ice scoop leans, and a hook to hang it on for easy storage.

For ease of maintenance, a built-in diagnostic system will identify problems that your ice machine may be having and will display the issue on the digital controller so it can be repaired accordingly. This easy-to-use controller can also be used to monitor the current stage of ice production that your machine is in. It allows you to adjust the bridge thickness up or down to maximize your harvest into individual cubes of ice, rather than full sheets. It also initiates the cleaning cycle and displays what stage of the cycle you're in. Plus, the ice bin has a 3/4 FTP drain fitting.

The ice machine is constructed of durable roto plastic finish with a polyethylene interior to last in the busiest of commercial environments. A nickel plated evaporator and removable air filter make for quick and simple cleaning and maintenance. With (4) 6" adjustable legs, you can level your machine on uneven surfaces and have plenty of room to clean under it. This ice machine also comes with pre-drilled holes on the back of the unit to mount your OceanLoch water filter to the machine to ensure you are serving the cleanest and freshest ice possible. Designed for side-breathing and rear exhaust, you can avoid hot air being blown outward into your kitchen or service area. This unit requires a 115V electrical connection for operation.

**⚠ WARNING:** This product can expose you to chemicals including lead, which are known to the State of California to cause cancer, birth defects, or other reproductive harm. For more information, go to [www.p65warnings.ca.gov](http://www.p65warnings.ca.gov).