



BL1048S, BL1360S, BL1660S - Storage Bins

Large Modular Storage Bins

Features and Benefits

Durable Construction:

- Stainless Steel Exterior
- Corrosion resistant bin liner

Easy to Use:

- Spring loaded door allows for one-hand open and close
- Ice shield reduces spills and controls ice flow
- Maximum accessibility for easy ice removal

Fast and Easy Installation:

- Comes assembled
- Includes stainless steel universal adapter plate for most ice maker setups
- Includes 82 oz plastic ice scoop
- Includes 6" adjustable legs



Storage Capacity

BL1048S	BL1360S	BL1660S
Application Capacity	Application Capacity	Application Capacity
1000/454 lb/kg	1320/599 lb/kg	1660/753 lb/kg

Application capacity is based on 90% of total volume in cubic feet x 34 lb/ft³



First Ice In First Ice Out

The first ice that drops in the bin is the first ice that comes out and is used, ensuring fresh tasting all the time.



Accessories

Model Number	Description
KBT70	Kit, Bin top for use with (2) 30" heads on BL1360 or BL1660
KBT71	Kit, Bin top for use with 22" EH222 on BL1048
KBT72	Kit, Bin top for use with (2) EH222 on BL1048
KBT73	Kit, Bin top for use with EH222 on BL1360 or BL1660
KBT74	Kit, Bin top for use with (2) EH222 on BL1360 or BL1660



Certification



Polyurethane Insulation

Foam insulation is forced between the wall and liner under heat and pressure to form a perfect wall to wall bond, preserving ice supply for long periods.



Warranty

- 5 years parts and labor on all components.
- Warranty valid in North, South & Central America for commercial installations.
- Contact factory for warranty in other regions.
- Residential Applications: 1 year parts and labor

BL1048S, BL1360S, BL1660S - Storage Bins

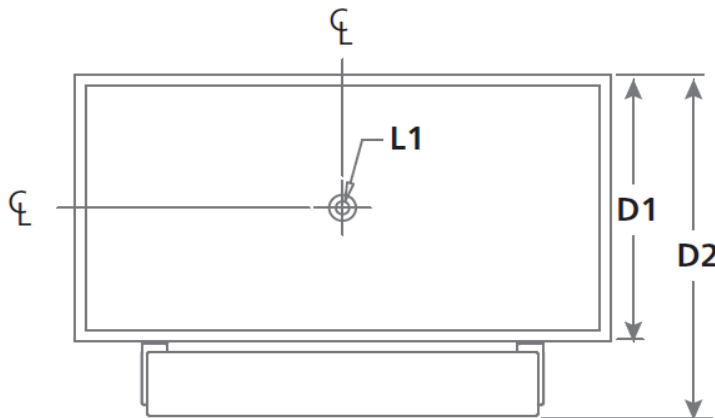
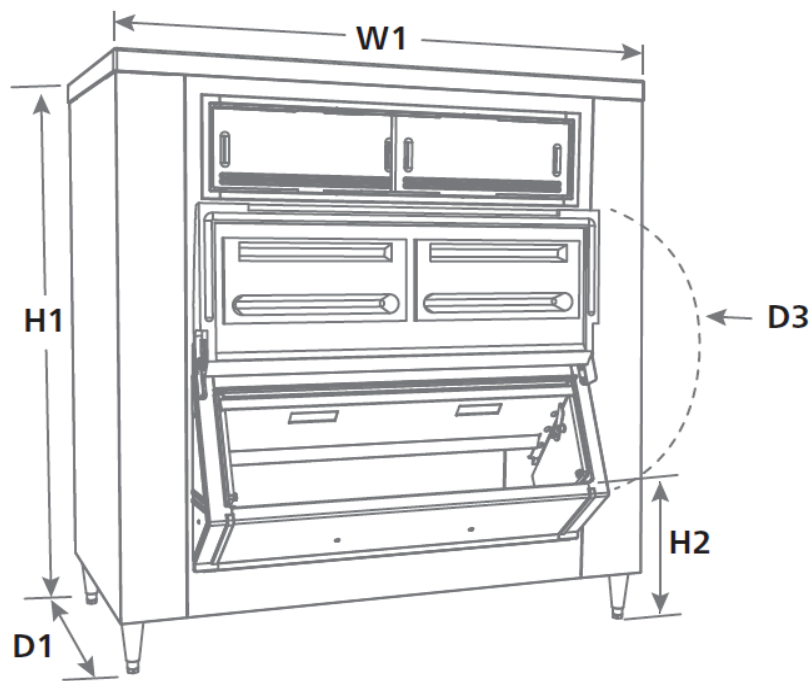


- 101 Corporate Woods Parkway, Vernon Hills, IL 60061 •
- 1-800-SCOTSMAN • Fax: 847-913-9844 • www.scotsman-ice.com • customer.relations@scotsman-ice.com •

BL1048S, BL1360S, BL1660S - Storage Bins

Large Modular Storage Bins

BL1048S, BL1360S, BL1660S - Storage Bins



Dimensions and Weight Details

Model	W1	D1	D2	D3	H1	H2	L1	Shipping Weight (lb/kg)
BL1048S	48" (121.9 cm)	31" (78.7 cm)	39" (99.1 cm)	49.5" (125.7 cm)	54.4" (138.2 cm)	19" (48.3 cm)	1" FPT	268/122
BL1360S	60" (152.4 cm)	31" (78.7 cm)	39" (99.1 cm)	49.5" (125.7 cm)	54.4" (138.2 cm)	19" (48.3 cm)	1" FPT	322/147
BL1660S	60" (152.4 cm)	31" (78.7 cm)	39" (99.1 cm)	49.5" (125.7 cm)	63.4" (161 cm)	19" (48.3 cm)	1" FPT	340/154

an Ali Group Company

- 101 Corporate Woods Parkway, Vernon Hills, IL 60061
- 1-800-SCOTSMAN Fax: 847-913-9844
- www.scotsman-ice.com customer.relations@scotsman-ice.com



The Spirit of Excellence

Scotsman

SIS-SS-BIN-BL 03-22

© 2022 Scotsman Ice Systems.