



**OUTDOOR ICE MERCHANDISER**

**MODEL 85**



**We're With You Every  
Degree Of The Way**





# OUTDOOR ICE MERCHANDISER

## MODEL 85

### PRODUCT SPECIFICATIONS

#### Standard Model Numbers

Auto Defrost – R404a:	L085UASE
Cold Wall – R404a:	L085UCSE
Auto Defrost – R290:	L085UASP
Cold Wall – R290:	L085UCSP

#### Dimensions & Capacities

7 lb. Bags - Auto Defrost:	230
20 lb. Bags - Auto Defrost:	90
7 lb. Bags - Cold Wall:	260
20 lb. Bags - Cold Wall:	100
Approx. Interior Cubic Feet:	85
Dimensions (W"xD"xH"):	84 x 35.5 x 76.5
Door Size (W"x H"):	27 x 46

#### Operating Temperature

(X°F - X°F):	16 - 24
Control:	Electronic Control

#### Product Weight

Auto Defrost (lbs.):	545
Cold Wall (lbs.):	505

#### Electrical

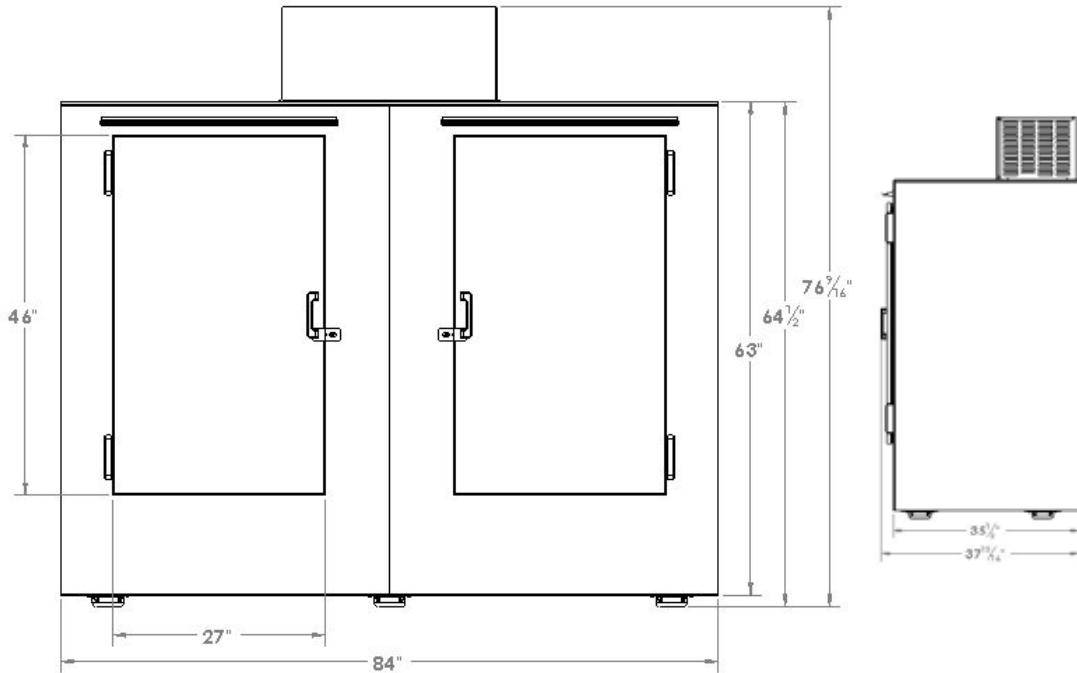
Voltage (V/Hz):	115 / 60
Min. Circuit Required (Amps):	15
Auto Defrost (Amps):	10
Cold Wall (Amps):	10
230V/50Hz Available:	Upon Request

#### Other

Compressor (HP):	1/2
Refrigerant:	R404a, R290
Certifications:	UL, cUL, CE
DOE Compliant:	Yes
CARB Compliant:	Upon Request
NSF Available:	Upon Request

1. Height Includes Compressor
2. Add 3" to Depth for Condensate Evaporator Pan
3. Add 3" to Depth for Low Profile Raceway
4. Add 3.5" to Depth for Glass Door & Handle
5. Add 3" to Depth for Upright Solid Door & Handle
6. Add 1" to Depth for Slant Solid Door & Handle
7. Merchandiser storage capacities are approximate & may vary due to type of ice, bag size, and methods of loading.

### DIMENSIONAL DRAWINGS



### VIDEO LIBRARY [leerinc.com/video-library](http://leerinc.com/video-library)

